

Product

Catalogue

Low Voltage



Electrical Manufacturer





ABOUT COMPANY

MUTAI Electric Group was established in 2012, with standard workshop of over 20,000 square meters which located in Liushi, the capital of China Electrical Appliance.

MUTAI Electric has been focusing on the manufacture, research, development of low-voltage electrical products more than 10 years. The main products of MUTAI included MCB, MCCB, ACB, RCBO, RCCB, ATS, Contactor. The products are professional & widely used in building, residence, industrial applications, electric power transmission.

MUTAI Electric has the completed industrial chain from component production to complete products assembly, testing and under routine control, such as: Instantaneous test, time delay test, under voltage test, life time test, temperature rising test. MUTAI Electric [redacted] the products are qualified by international certificates CCC, CE, CB. Furthermore, MUTAI Electric as the member of Zhejiang Circuit Breaker Association.

MUTAI Electric focus on Middle East, Africa, South East Asia, South America, Russia Market. [redacted]

[redacted] Electric [redacted] Electric [redacted]

With the mission of "Serve the world with high electrical efficiency", MUTAI Electric continues to develop, innovate to provide the solution and create value added for customer.



ABOUT COMPANY



CONTENT

CMTB1-63 Miniature Circuit Breaker (AC)	P1
CMTB1-63DC Miniature Circuit Breaker (DC)	P2
CMTB1LE-63 Residual Current Operated Circuit Breaker	P3
CMTM1 Moulded Case Circuit Breaker	P4 - P20
CMTM3 Moulded Case Circuit Breaker	P21 - P34
CMTM6RT Adjustable Moulded Case Circuit Breaker	P35- P37
CMTW1 Air Circuit Breaker	P38 - P42
CMTQ1 Automatic Transfer Switching Equipment	P43 - P44
CJX2 AC contactor	P45
Switch disconnecter	P46
Fuse-switch disconnecter	P46
Thermal Overload Relay	P46



Focus on
your **value**



CMTB1-63 (H) Miniature Circuit Breaker

1. General



CMTB1-63M
1P

CMTB1-63 miniature circuit breaker has short circuit and overload protection function, also can be used as an infrequent transfer and conversion of power system. The MCB has features of advanced structure, reliable performance, high breaking capacity, elegant appearance, etc. The shell and parts are made of material with impact resistance and a strong flame-retardant feature. The product conforms to standard IEC/EN60898-1.

CMTB1-63 MCB is applicable for 50/60Hz AC, Rated voltage 230V/240V/400V/415V, Rated current 63A and below.

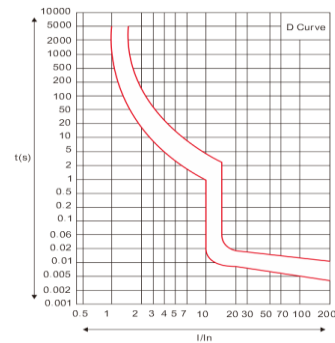
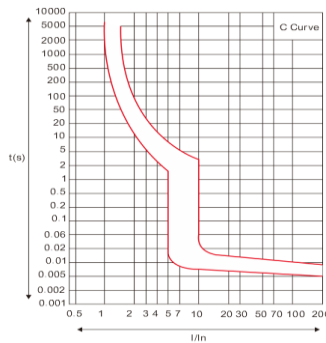
2. Technical features

Standard	IEC/EN 60898-1	
Rated current I_n (A)	1/2/3/4/5/6/8/10/13/16/20/25/32/40/50/63A	
Poles	1P	2P/ 3P/3P+N/ 4P
Rated voltage U_e (V)	230/240/400/415 V	400/415V
Rated frequency	AC 50/60Hz	
Rated short circuit capacity I_{cn}	3000A/4500A/ 6000A	
Rated impulse withstand voltage U_{imp}	4000V	
Ambient temperature	-20°C ~ +40°C	
Type of instantaneous release	B C D	



CMTB1-63M
2P

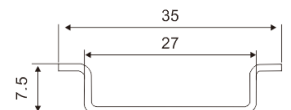
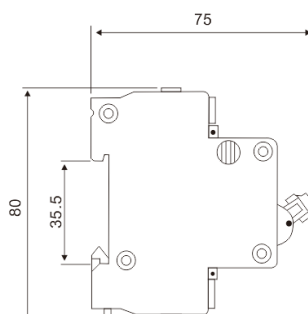
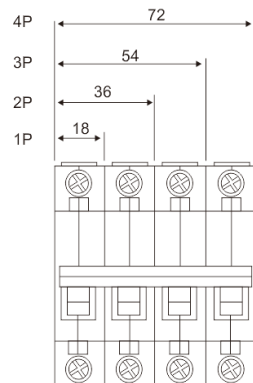
3. Curve



4. Outline and installation dimension (mm)



CMTB1-63M
3P



CMTB1-63DC Miniature Circuit Breaker



CMTB1-63DC
1P



CMTB1-63DC
2P



CMTB1-63DC
3P

1. General

CMTB1-63 DC circuit breaker can protect electrical appliances and other load equipment from overload and short-circuit problems, and protect the circuit safety. Most of DC MCB uses some direct current systems like new energy, solar PV, etc. The voltage states of DC MCB is generally from DC 12V-1000V, and the rated current can up to 63A.

2. Technical features

Standard	IEC/EN 60947-2			
Rated current I_n (A)	1/2/3/4/5/6/8/10/13/16/20/25/32/40/50/63A			
Poles	1P	2P	3P	4P
Rated voltage U_e (V)	25 0V	500V	750V	1000V
Rated frequency	50/60Hz			
Rated short circuit capacity I_{cn}	6000A			
Ambient temperature	-20°C ~ +70°C			
Curve type	C			
Pollution degree	3			
Altitude	≤ 2000m			
Maximum wiring capacity	25 m ²			
Installation	35mm DIN Rail			
Line incoming type	Top			

CMTB1LE-63 Residual Current Operated Circuit Breaker

1. General

CMTB1LE-63 Residual Current Operated Circuit Breaker can protect people and power from electric shock, short circuit, overload faults. The RCBO mainly used in commercial and residential building. It conforms with the standard of IEC61009-1. CMTB1LE-63 RCBO is applicable for AC50/60HZ, rated voltage 230V/240V/400V/415V and rated current up to 63A.

2. Technical feature

Rated current I_n (A)	1/2/3/4/5/6/8/10/13/16/20/25/32/40/50/63A	
Poles	1P+N /2P/3P/3P+N/ 4P	
Rated voltage U_e (V)	240V/415V	415V
Rated frequency	AC 50/60Hz	
Rated short circuit capacity I_{cn}	3000A/4500A/ 6000A	
Rated impulse withstand voltage U_{imp}	4000V	
Ambient temperature	-20°C~+40°C	
Type of instantaneous release	B C D	
Rated residual operating current I_n (A)	30mA,50mA,75mA,100mA,300mA	



CMTB1LE-63
1P +N

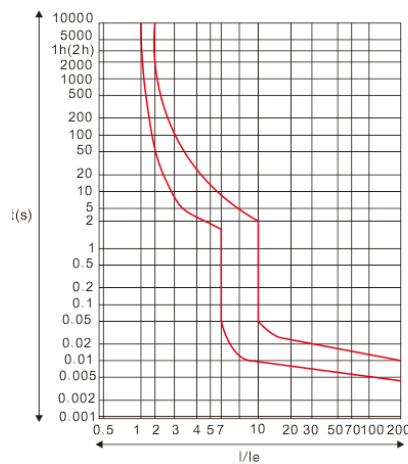


CMTB1LE-63
2P

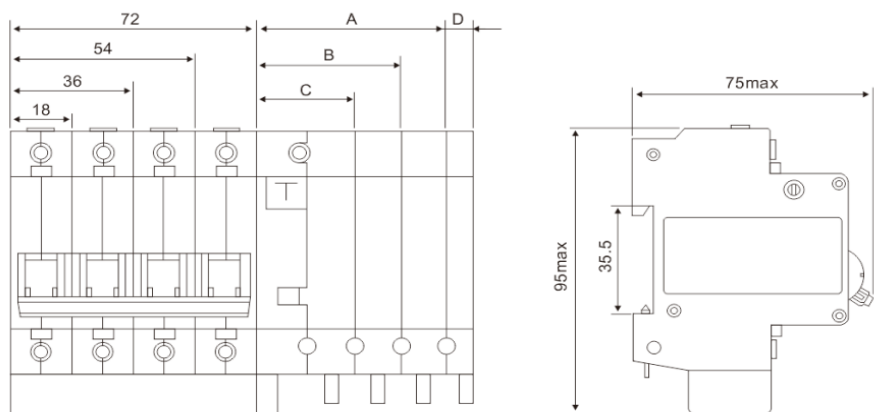


CMTB1LE-63
3P

3. C Curve



4. Outline and installation dimension (mm)



CMTM1 Moulded Case Circuit Breaker



CMTM1-250M/3300

1. General

CMTM1 series moulded case circuit breaker is applicable for rated insulation voltage 400/415/660/690/800/1000V , AC50/60Hz, Rated voltage 690V and below . It has the feature of compact structure, small size, high breaking capacity, short electric arc, and complete internal and external accessories.

CMTM1 MCCB has the function of overload, short circuit and under-voltage protection, can protect the line and power supply device from damage.

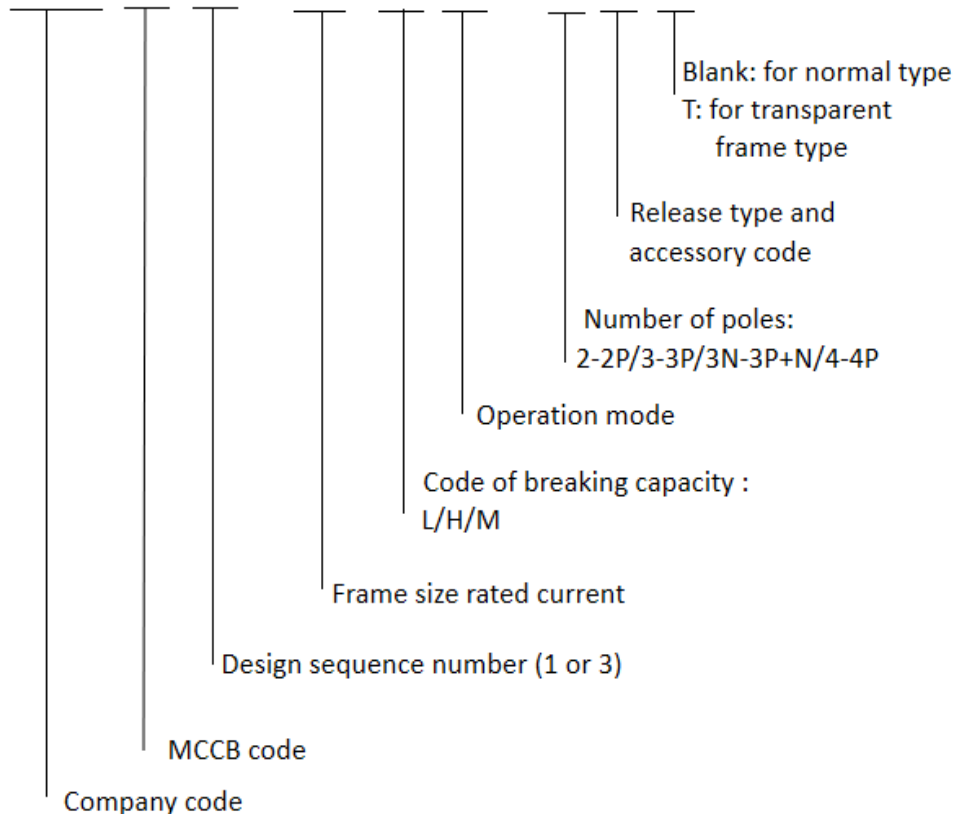
The product conforms with the standard of IEC60947-2



CMTM1-630L/3300

2.Type designation

CMT M □ - 125 □ □ / □ □ □



CMTM1 Moulded Case Circuit Breaker

3. Technical feature

Frame current Inm(A)		63				125						250							
Model NO.		CMTM1-63L		CMTM1-63M		CMTM1-125L		CMTM1-125M		CMTM1-125H		CMTM1-250L		CMTM1-250M		CMTM1-250H			
Rated Current In(A)		10,16,20,25,32,40,50,63				10,16,20,25,32,40,50,63,80,100,125						100,125,140,160,180,200,225,250							
Poles		3		3		4		2		3		4		2		3		4	
Rated Insulation voltage Ui (V)		AC500				1000													
Rated impulse withstand voltage Uimp (V)		12000																	
Rated Voltage Ue (V)		AC400				AC400V/690V						AC800V/1000V							
Distance of ARC (mm)		≤50				≤50						≤50							
Rated ultimate short circuit breaking capacity Icu (KA)	AC400V	35		50		35		50		85		35		50		85			
	AC690V	/		/		/		30		30		/		30		30			
	AC800V	/		/		/		15		15		/		15		15			
	AC1000V	/		/		/		15		15		/		15		15			
Rated run short circuit breaking capacity Ics (KA)	AC400V	25		35		22		35		55		25		35		55			
	AC690V	/		/		/		20		20		/		20		20			
	AC800V	/		/		/		10		10		/		10		10			
	AC1000V	/		/		/		10		10		/		10		10			
Electric life		1500				1500						1000							
Size	W	78	78	103	78	65	92	122	92	75	107	107	142	107	150				
	L	136				150						150							
	H	73		81.5		69		86				86		103					
Shunt release		▲				▲						▲							
under-voltage release		▲				▲						▲							
Auxiliary contact		▲				▲						▲							
Alarm contact		▲				▲						▲							
motor operation mechanism		▲				▲						▲							
Extended manual operation handle		▲				▲						▲							

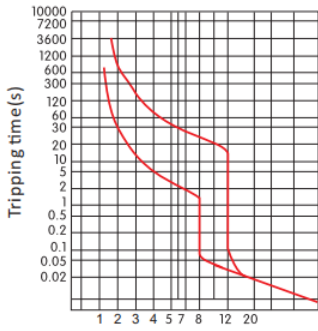
CMTM1 Moulded Case Circuit Breaker

3. Technical feature

Frame current Inm(A)		400				630				800			1250		
Model NO.		CMTM1 - 400L	CMTM1 - 400M	CMTM1 - 400H	CMTM1 - 630L	CMTM1 - 630M	CMTM1 - 630H	CMTM1 - 800M	CMTM1 - 800H	CMTM1 - 1250M	CMTM1 - 1250H				
Rated Current In(A)		225,250,315,350,400				400,500,630				630,700,800			800, 1000, 1250		
Poles		3	3	4	3	3	4	3	3	4	3	3	4	3	
Rated Insulation voltage Ui (V)		1000				1000									
Rated impulse withstand voltage Uimp (V)		12000				12000									
Rated Voltage Ue (V)		AC400V/690V AC800V/1000V				AC400V/690V AC800V/1000V									
Distance of ARC (mm)		≤50				≤100									
Rated ultimate short circuit breaking capacity Icu (KA)	AC400V	50	65	100	50	65	100	85	100	70	85				
	AC690V	/	30	30	/	30	300	30	30	20	25				
	AC800V AC1000V	/	15	15	/	15	15	15	15	/	/				
Rated run short circuit breaking capacity Ics (KA)	AC400V	35	42	65	35	42	65	50	85	50	60				
	AC690V	/	20	20	/	20	20	20	20	15	20				
	AC800V AC1000V	/	10	10	/	10	10	10	10	/	/				
Electric life		1000				500				500			500		
Size	W	198	150	198	198	182	182	240	182	210	280	210	210	280	210
	L	257				270				280			330		
	H	108				113				116			137		
Shunt release		▲				▲				▲			▲		
under-voltage release		▲				▲				▲			▲		
Auxiliary contact		▲				▲				▲			▲		
Alarm contact		▲				▲				▲			▲		
motor operation mechanism		▲				▲				▲			▲		
Extended manual operation handle		▲				▲				▲			▲		

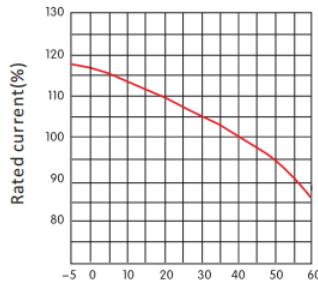
CMTM1 Moulded Case Circuit Breaker

4 .Curve



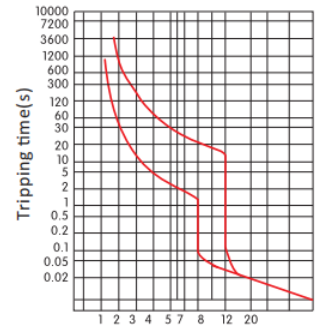
Rated current times
Characteristic Curve

CMTM1-63(10A-32A) /CMTM1-125(16A-32A)



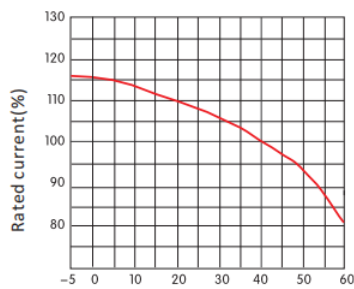
Ambient temperature (°C)
Adjustment Curve of Temperature

CMTM1-63 (10A-32A) /CMTM1-125(16A-32A)



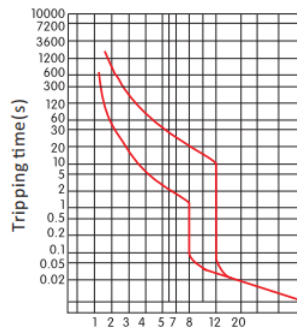
Rated current times
Characteristic Curve

CMTM1-63 (40A-63A) /CMTM1-125(40A-125A)



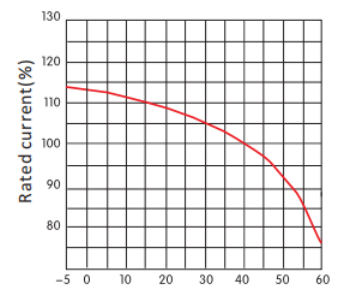
Ambient temperature (°C)
Characteristic Curve

CMTM1-63 (40A-63A) /CMTM1-125(40A-63A)



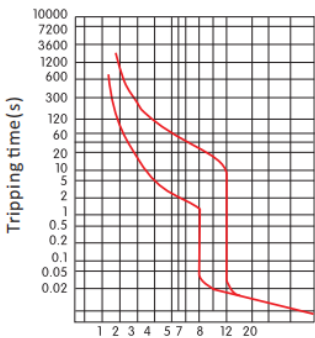
Rated current times
Adjustment Curve of Temperature

CMTM1-250



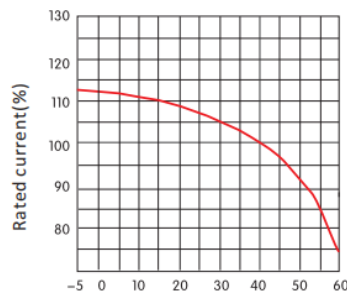
Ambient temperature (°C)
Characteristic Curve

CMTM1-250



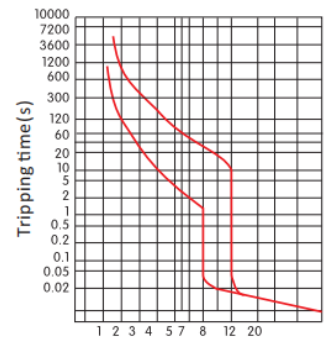
Rated current times
Characteristic Curve

CMTM1-400



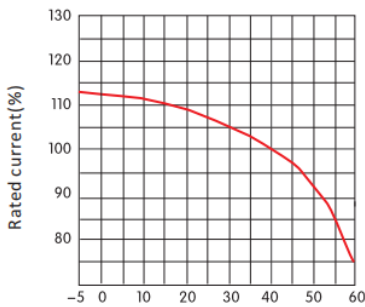
Ambient temperature (°C)
Adjustment Curve of Temperature

CMTM1-400



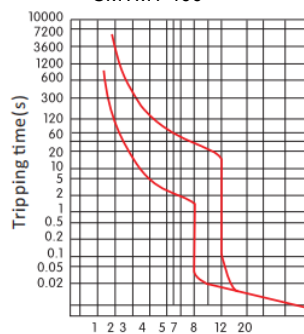
Rated current times
Characteristic Curve

CMTM1-630) /CMTM1-800



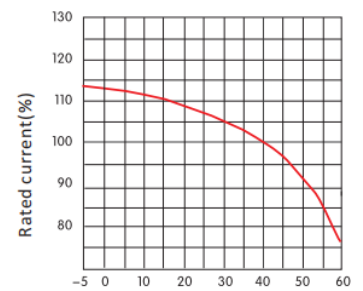
Ambient temperature (°C)
Adjustment Curve of Temperature

CMTM1-630/CMTM1-800



Rated current times
Characteristic Curve

CMTM1-1250

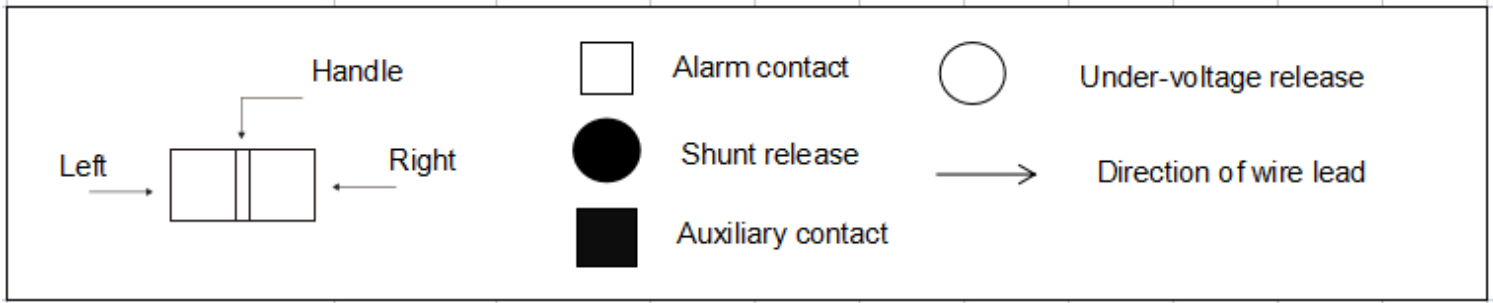


Ambient temperature (°C)
Adjustment Curve of Temperature

CMTM1-1250

CMTM1 Moulded Case Circuit Breaker

5. Accessories

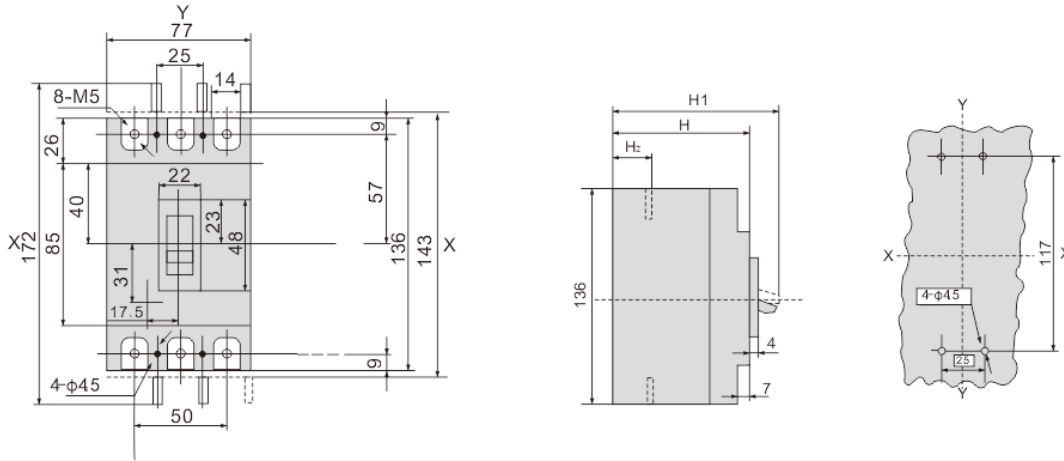


Accessory	Accessory Code		CMTM1-63		CMTM1-125		CMTM1-250		CMTM1-400		CMTM1-630		CMTM1-800	
	Magnetic only	Compound Release	3P	4P	3P	4P	3P	4P	3P	4P	3P	4P	3P	4P
No accessory	200	300												
Alarm contact	208	308	← □ □	← □ □	← □ □	← □ □	← □ □	← □ □	← □ □	← □ □	← □ □	← □ □	← □ □	← □ □
Shunt release	210	310	← ● □	← ● □	← ● □	← ● □	← ● □	← ● □	← ● □	← ● □	← ● □	← ● □	← ● □	← ● □
Auxiliary contact	220	320	□ □ →	□ □ →	□ □ →	□ □ →	□ □ →	□ □ →	□ □ →	□ □ →	□ □ →	□ □ →	□ □ →	□ □ →
Under-voltage release	230	330	□ □ ○ →	□ □ ○ →	□ □ ○ →	□ □ ○ →	□ □ ○ →	□ □ ○ →	□ □ ○ →	□ □ ○ →	□ □ ○ →	□ □ ○ →	□ □ ○ →	□ □ ○ →
Shunt release Auxiliary contact	240	340	← ● □ □ →	← ● □ □ →	← ● □ □ →	← ● □ □ →	← ● □ □ →	← ● □ □ →	← ● □ □ →	← ● □ □ →	← ● □ □ →	← ● □ □ →	← ● □ □ →	← ● □ □ →
Shunt release Under-voltage release	250	350	← ● □ □ ○ →	← ● □ □ ○ →	← ● □ □ ○ →	← ● □ □ ○ →	← ● □ □ ○ →	← ● □ □ ○ →	← ● □ □ ○ →	← ● □ □ ○ →	← ● □ □ ○ →	← ● □ □ ○ →	← ● □ □ ○ →	← ● □ □ ○ →
Two groups of auxiliary contacts	260	360	← □ □ □ →	← □ □ □ →	← □ □ □ →	← □ □ □ →	← □ □ □ →	← □ □ □ →	← □ □ □ →	← □ □ □ →	← □ □ □ →	← □ □ □ →	← □ □ □ →	← □ □ □ →
Auxiliary contact Under-voltage release	270	370	← □ □ □ ○ →	← □ □ □ ○ →	← □ □ □ ○ →	← □ □ □ ○ →	← □ □ □ ○ →	← □ □ □ ○ →	← □ □ □ ○ →	← □ □ □ ○ →	← □ □ □ ○ →	← □ □ □ ○ →	← □ □ □ ○ →	← □ □ □ ○ →
Shunt release Alarm contact	218	318	← □ □ ● □	← □ □ ● □	← □ □ ● □	← □ □ ● □	← □ □ ● □	← □ □ ● □	← □ □ ● □	← □ □ ● □	← □ □ ● □	← □ □ ● □	← □ □ ● □	← □ □ ● □
Auxiliary contact Alarm release	228	328	← □ □ □ □ →	← □ □ □ □ →	← □ □ □ □ →	← □ □ □ □ →	← □ □ □ □ →	← □ □ □ □ →	← □ □ □ □ →	← □ □ □ □ →	← □ □ □ □ →	← □ □ □ □ →	← □ □ □ □ →	← □ □ □ □ →
Alarm contact Under-voltage release	238	338	← □ □ □ ○ →	← □ □ □ ○ →	← □ □ □ ○ →	← □ □ □ ○ →	← □ □ □ ○ →	← □ □ □ ○ →	← □ □ □ ○ →	← □ □ □ ○ →	← □ □ □ ○ →	← □ □ □ ○ →	← □ □ □ ○ →	← □ □ □ ○ →
Shunt release Alarm contact Auxiliary contact	248	348	← □ □ ● □ □ →	← □ □ ● □ □ →	← □ □ ● □ □ →	← □ □ ● □ □ →	← □ □ ● □ □ →	← □ □ ● □ □ →	← □ □ ● □ □ →	← □ □ ● □ □ →	← □ □ ● □ □ →	← □ □ ● □ □ →	← □ □ ● □ □ →	← □ □ ● □ □ →
Two group of auxiliary contact Alarm contact	268	368	← □ □ □ □ □ →	← □ □ □ □ □ →	← □ □ □ □ □ →	← □ □ □ □ □ →	← □ □ □ □ □ →	← □ □ □ □ □ →	← □ □ □ □ □ →	← □ □ □ □ □ →	← □ □ □ □ □ →	← □ □ □ □ □ →	← □ □ □ □ □ →	← □ □ □ □ □ →
Alarm contact Under-voltage release Auxiliary contact	278	378	← □ □ □ □ ○ →	← □ □ □ □ ○ →	← □ □ □ □ ○ →	← □ □ □ □ ○ →	← □ □ □ □ ○ →	← □ □ □ □ ○ →	← □ □ □ □ ○ →	← □ □ □ □ ○ →	← □ □ □ □ ○ →	← □ □ □ □ ○ →	← □ □ □ □ ○ →	← □ □ □ □ ○ →

CMTM1 Moulded Case Circuit Breaker

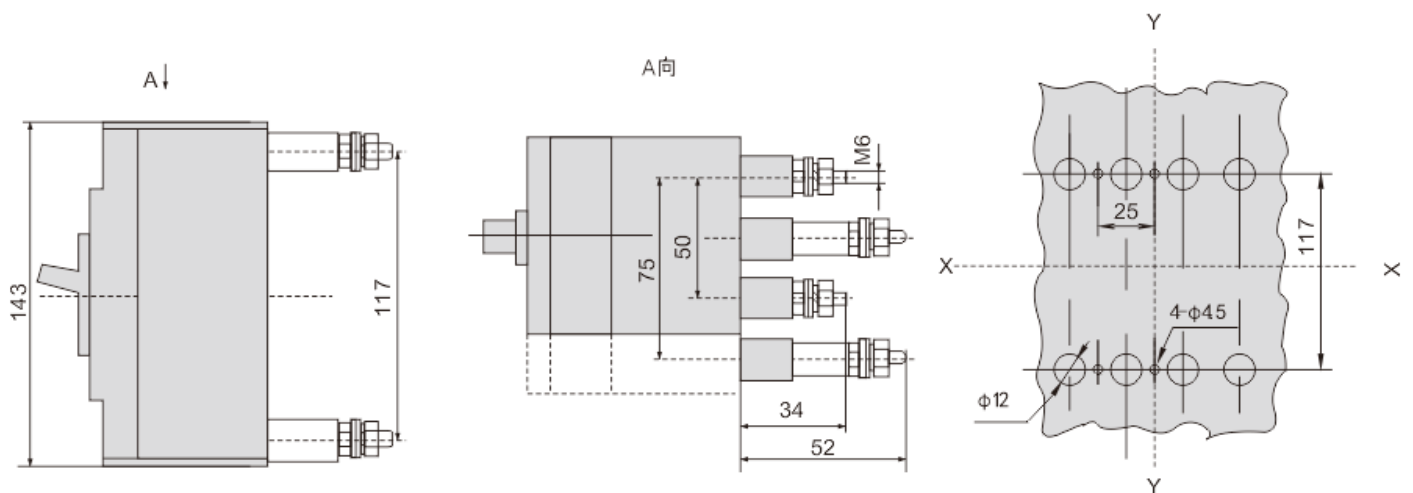
6 .Outline and installation dimension (mm)

CMTM1-63 front panel connection



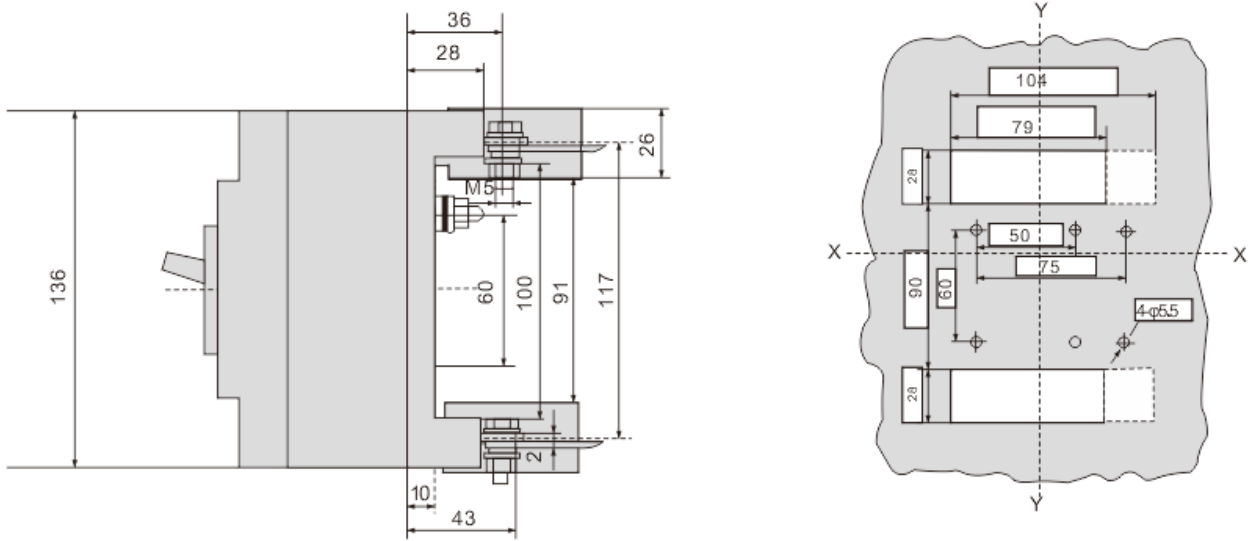
Model	H	H1	H2
CMTM1-63 /3P	73	89	28.5

CMTM1-63 back panel connection

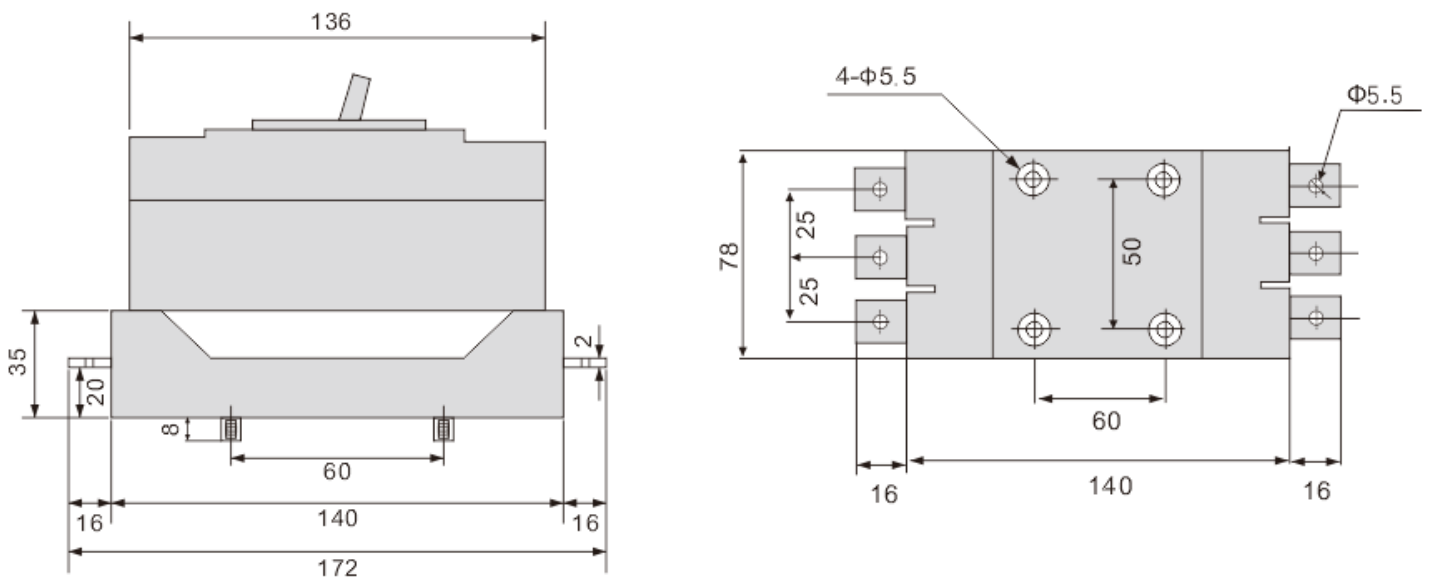


CMTM1 Moulded Case Circuit Breaker

CMTM1-63 plug-in back panel connection

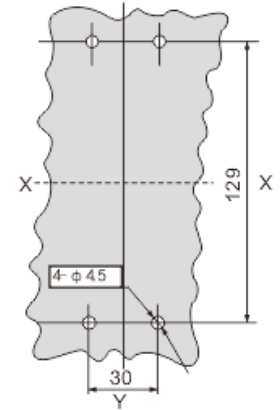
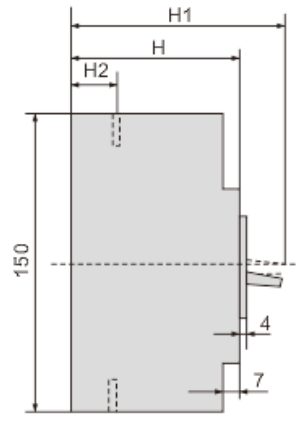
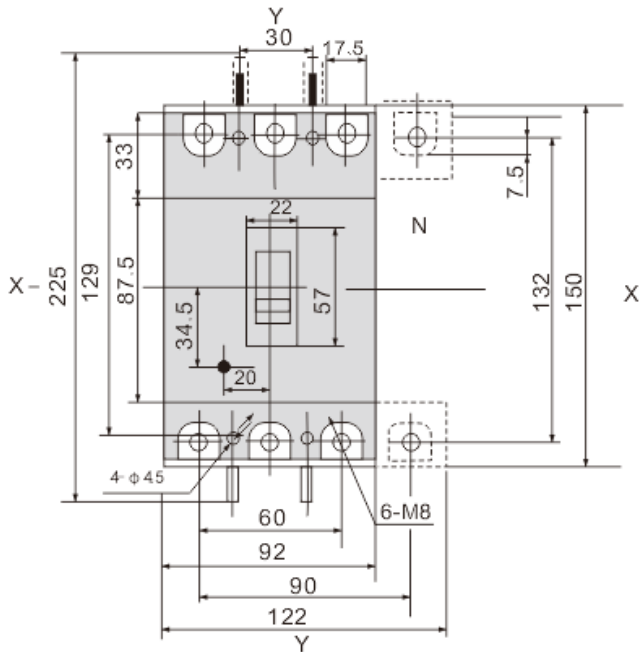


CMTM1-63 back panel connection



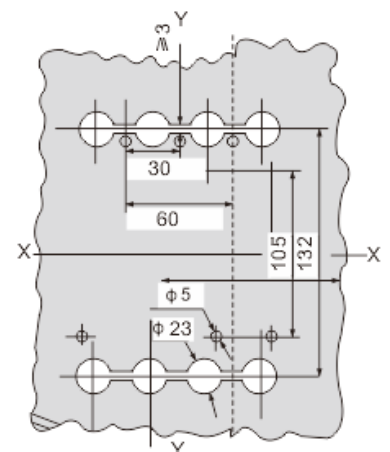
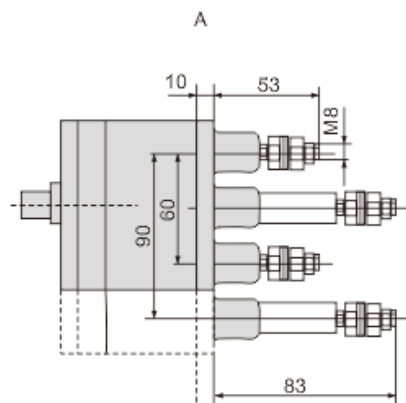
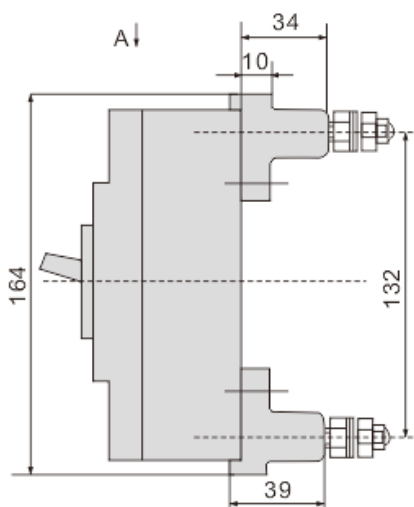
CMTM1 Moulded Case Circuit Breaker

CMTM1-125 front panel connection (3 poles , 4 poles)



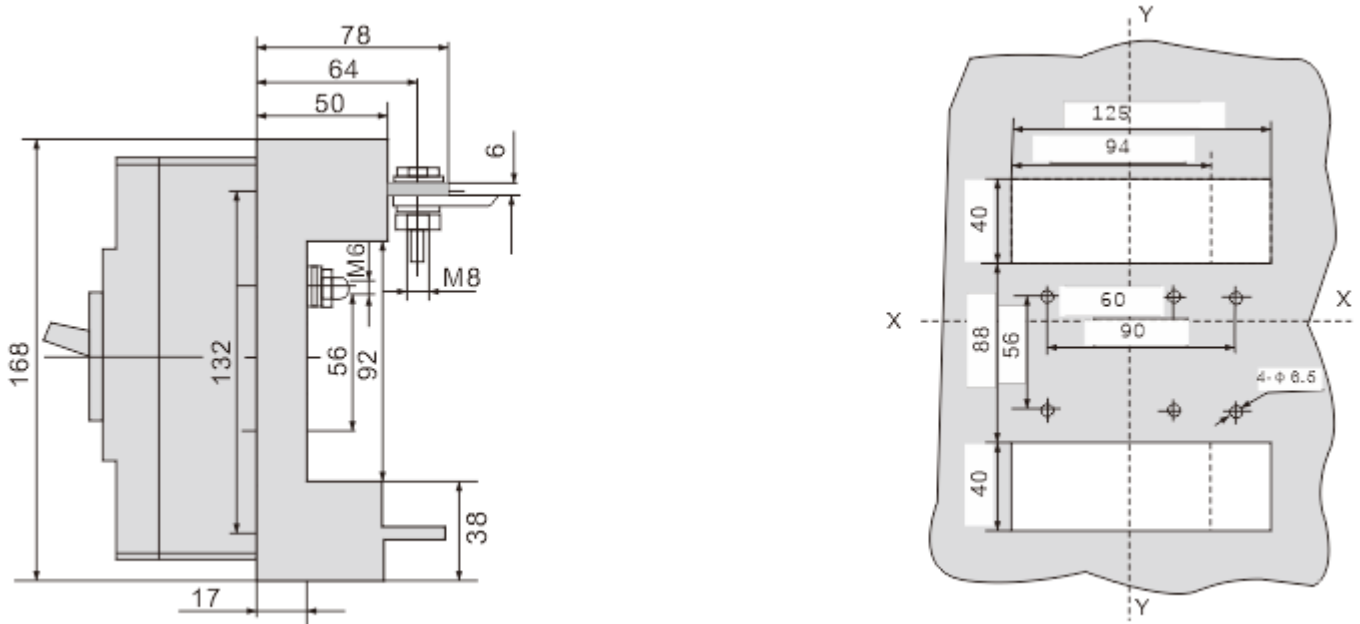
Model	H	H1	H2
CMTM1-125L	68	84	24
CMTM1-125 M、H/3P、4P	68	84	25

CMTM1-125 back panel connection (3 poles , 4 poles)

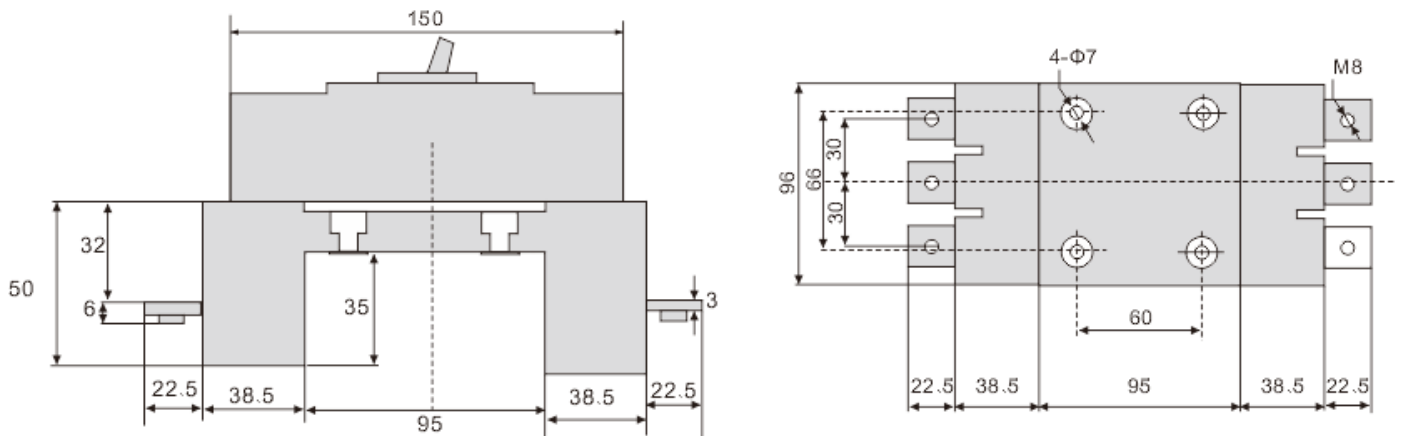


CMTM1 Moulded Case Circuit Breaker

CMTM1-125 plug-in back panel connection (3 poles , 4 poles)

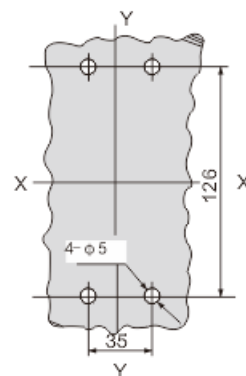
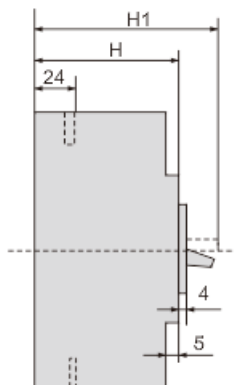
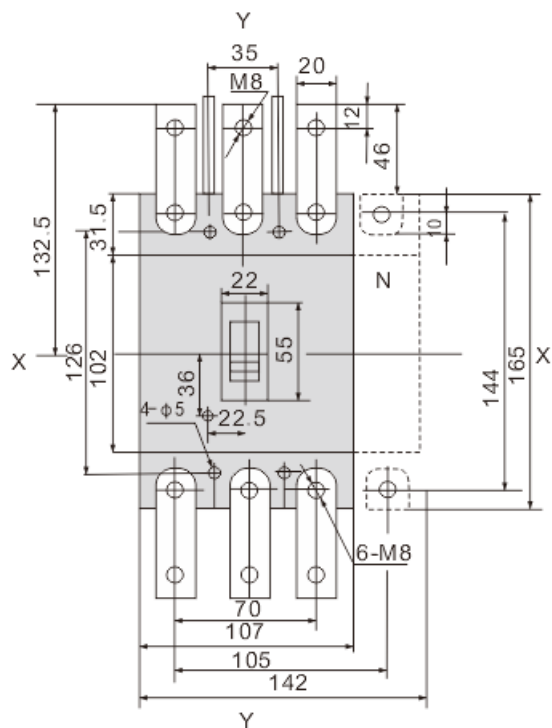


CMTM1-125 plug-in front panel connection (3 poles , 4 poles)



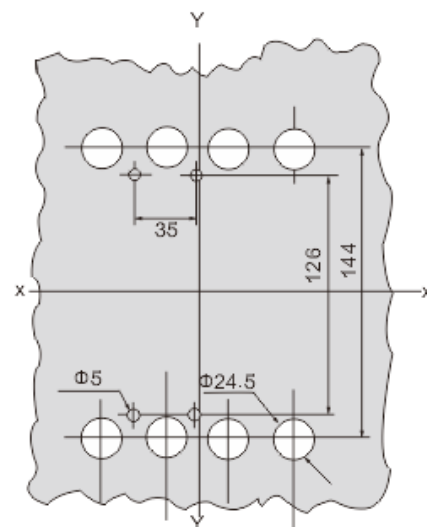
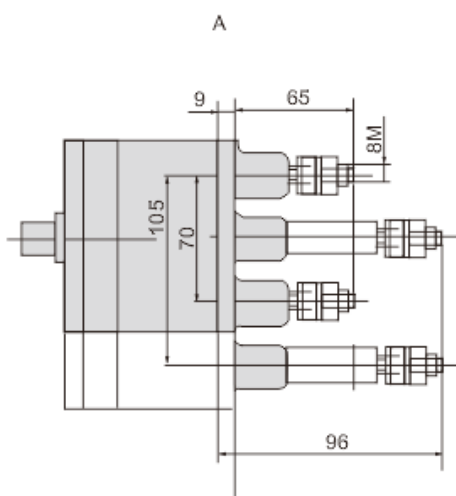
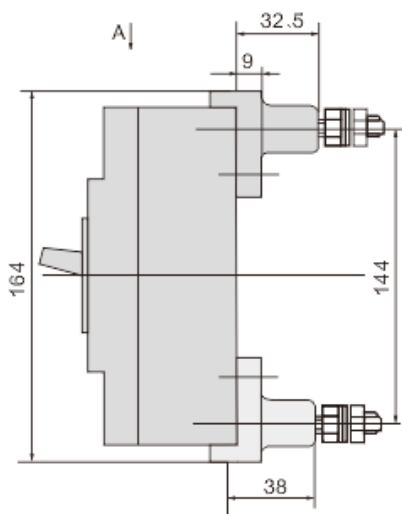
CMTM1 Moulded Case Circuit Breaker

CMTM1-250 front panel connection (3 poles , 4 poles)



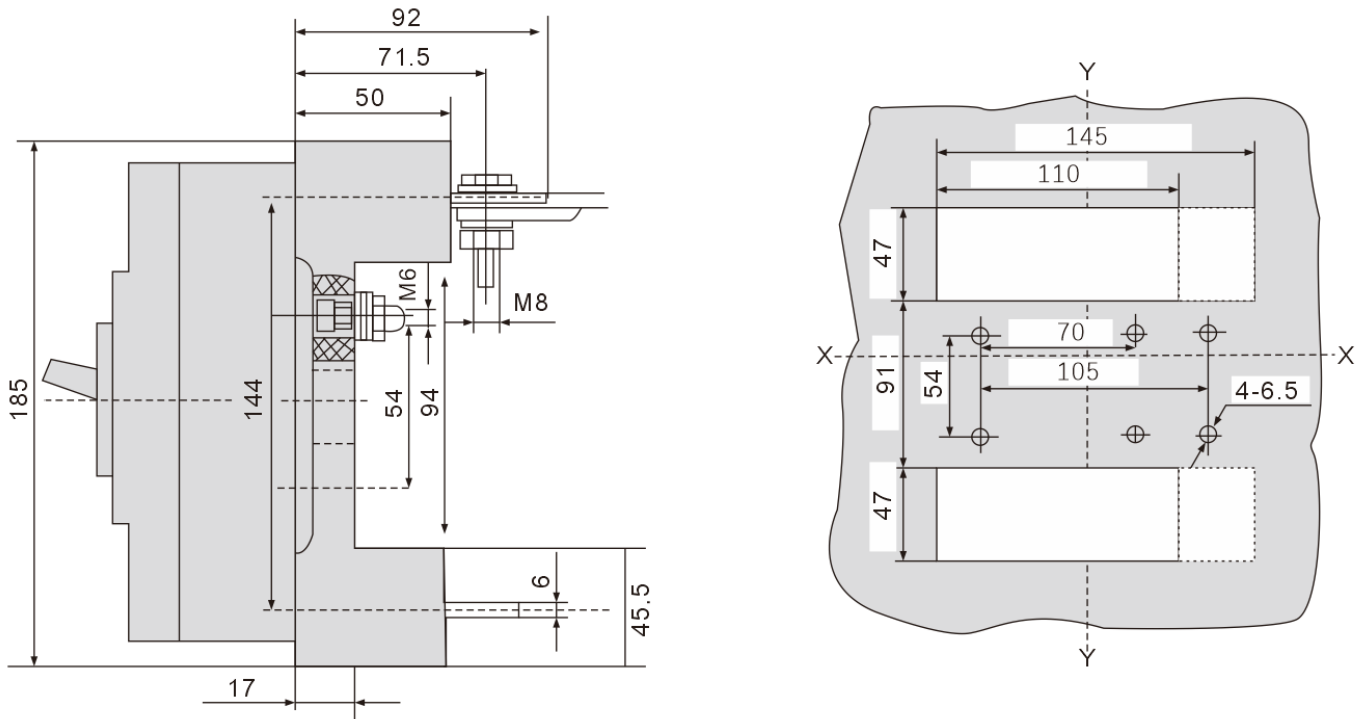
Model	H	H1
CMTM1-250L	86	110
CMTM1-250M、H/3P、4P	86	110

CMTM1-250 back panel connection (3 poles , 4 poles)

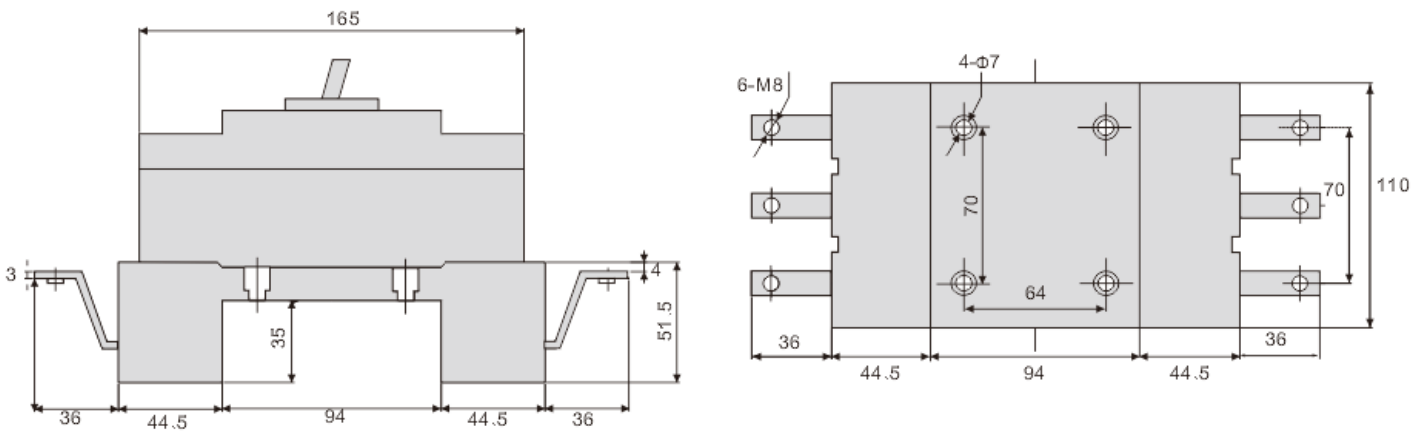


CMTM1 Moulded Case Circuit Breaker

CMTM1-250 plug -in back panel connection (3 poles , 4 poles)

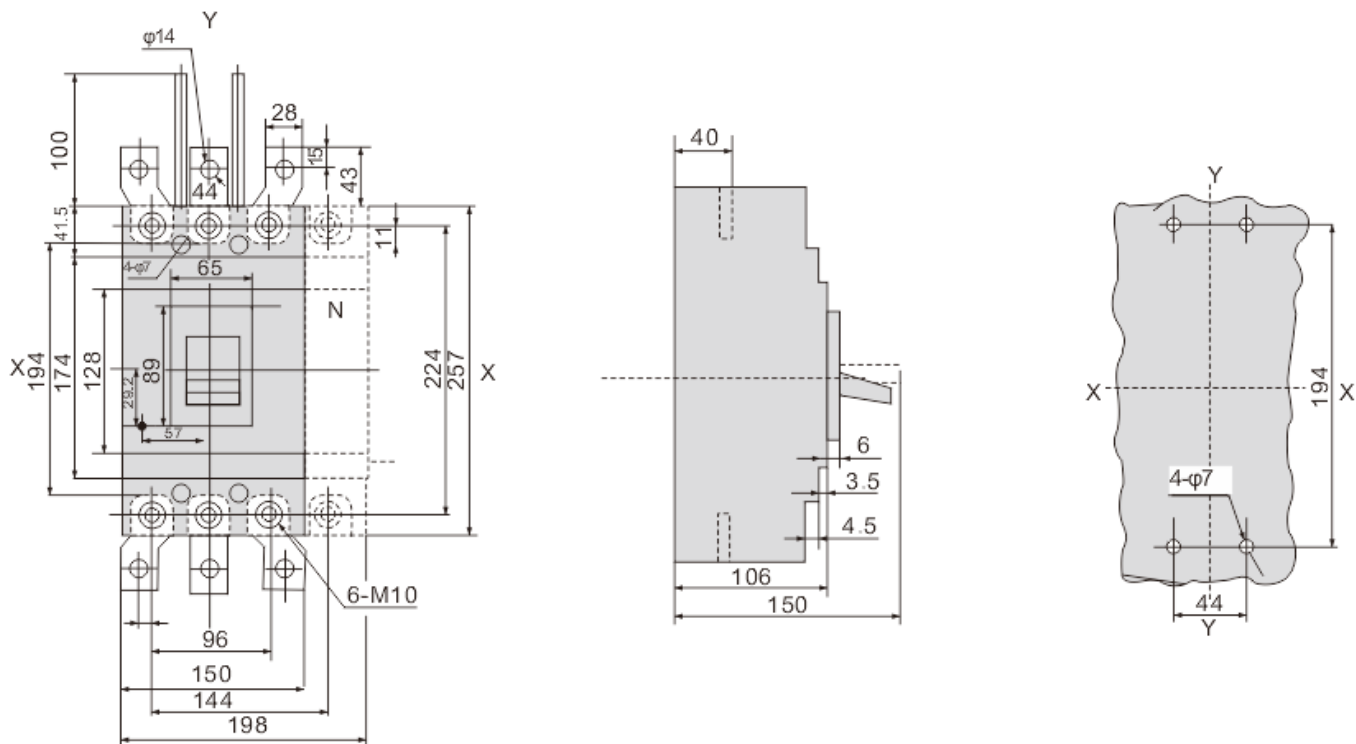


CMTM1-250 plug -in front panel connection (3 poles , 4 poles)

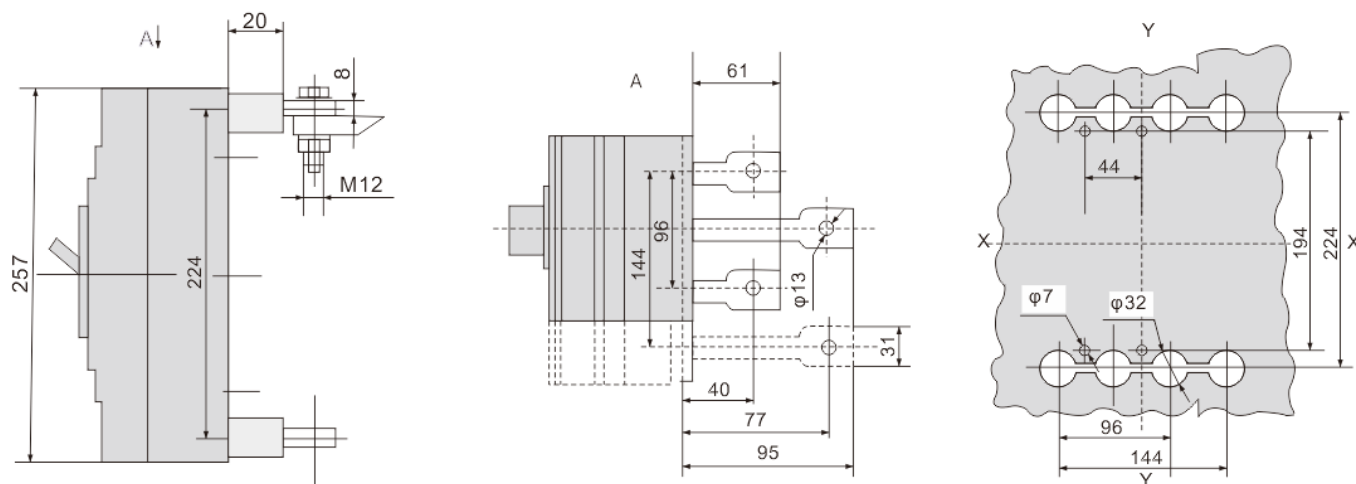


CMTM1 Moulded Case Circuit Breaker

CMTM1-400 front panel connection (3 poles , 4 poles)

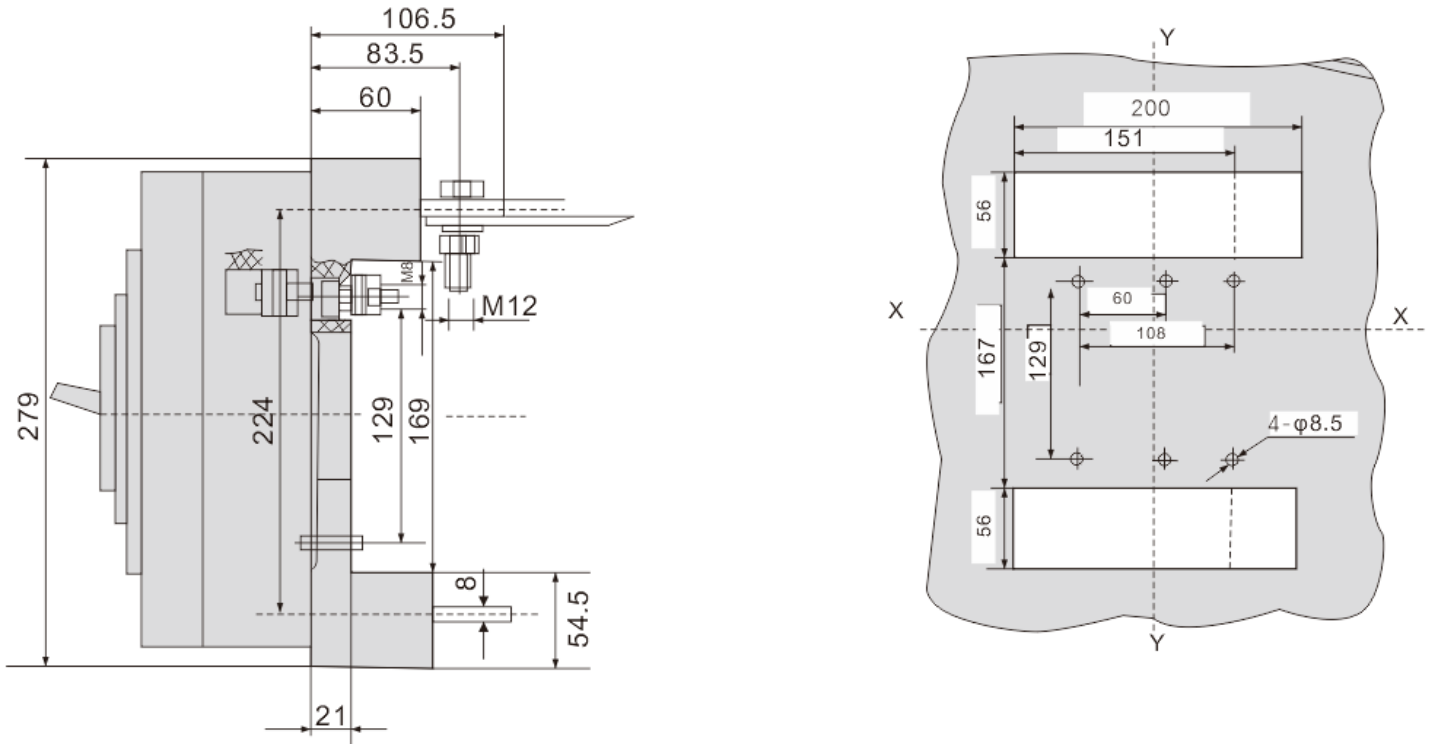


CMTM1-400 back panel connection (3 poles , 4 poles)

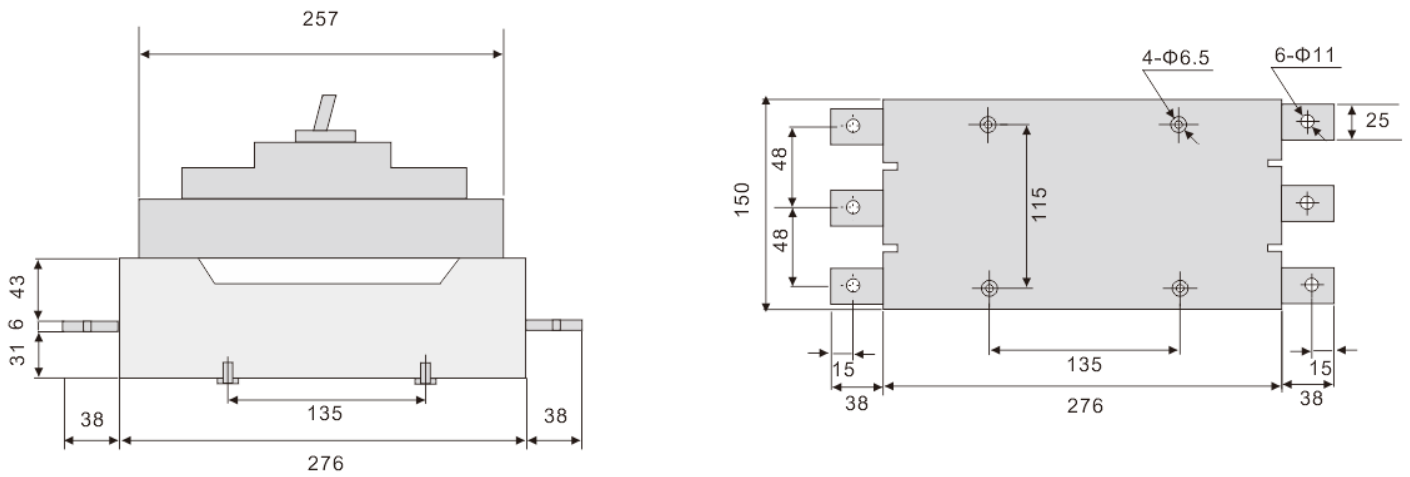


CMTM1 Moulded Case Circuit Breaker

CMTM1-400 plug-in back panel connection (3 poles , 4 poles)

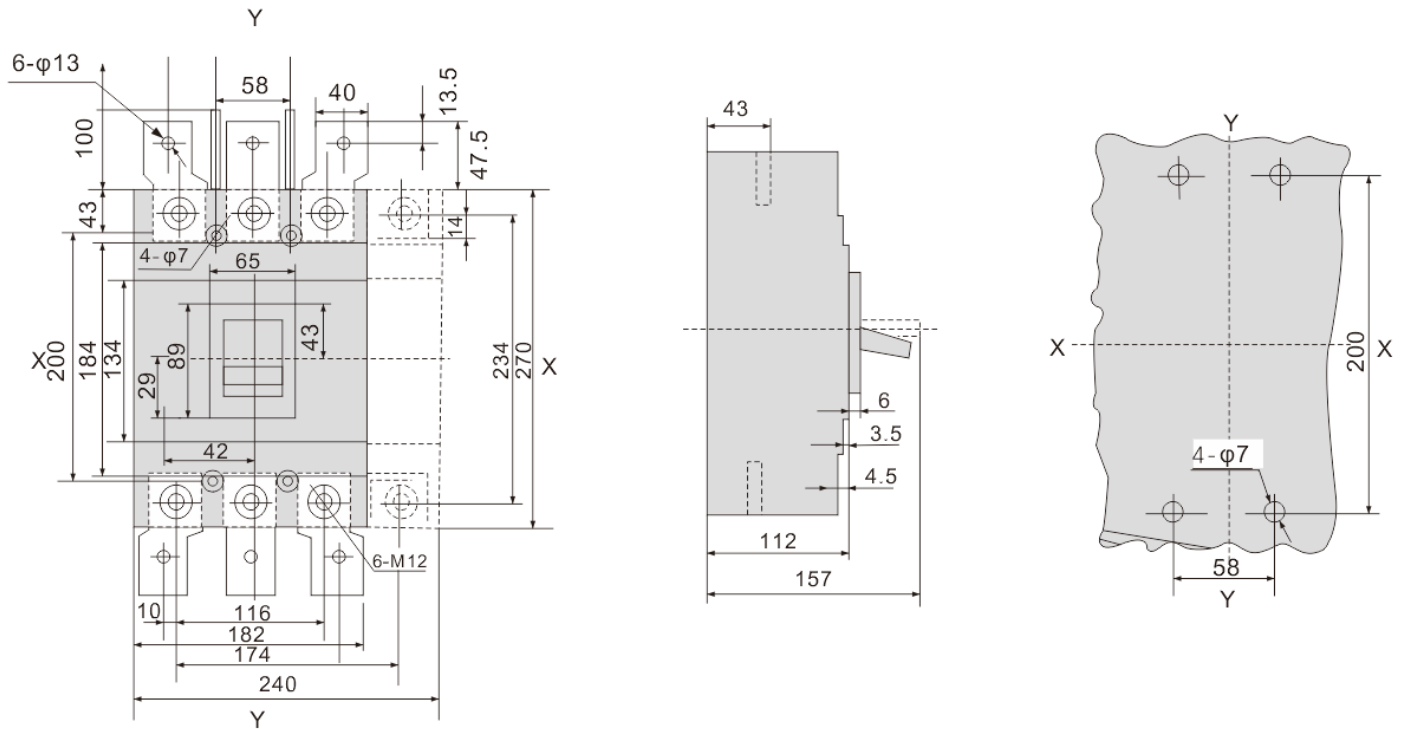


CMTM1-400 plug-in front panel connection (3 poles , 4 poles)

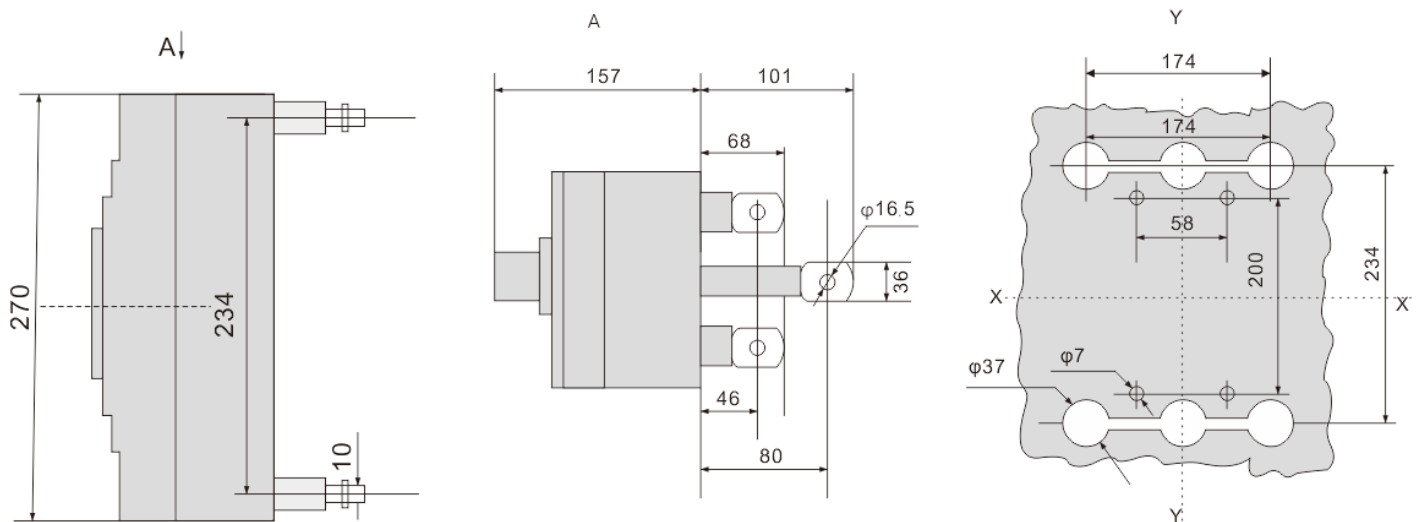


CMTM1 Moulded Case Circuit Breaker

CMTM1-630 front panel connection (3 poles , 4 poles)

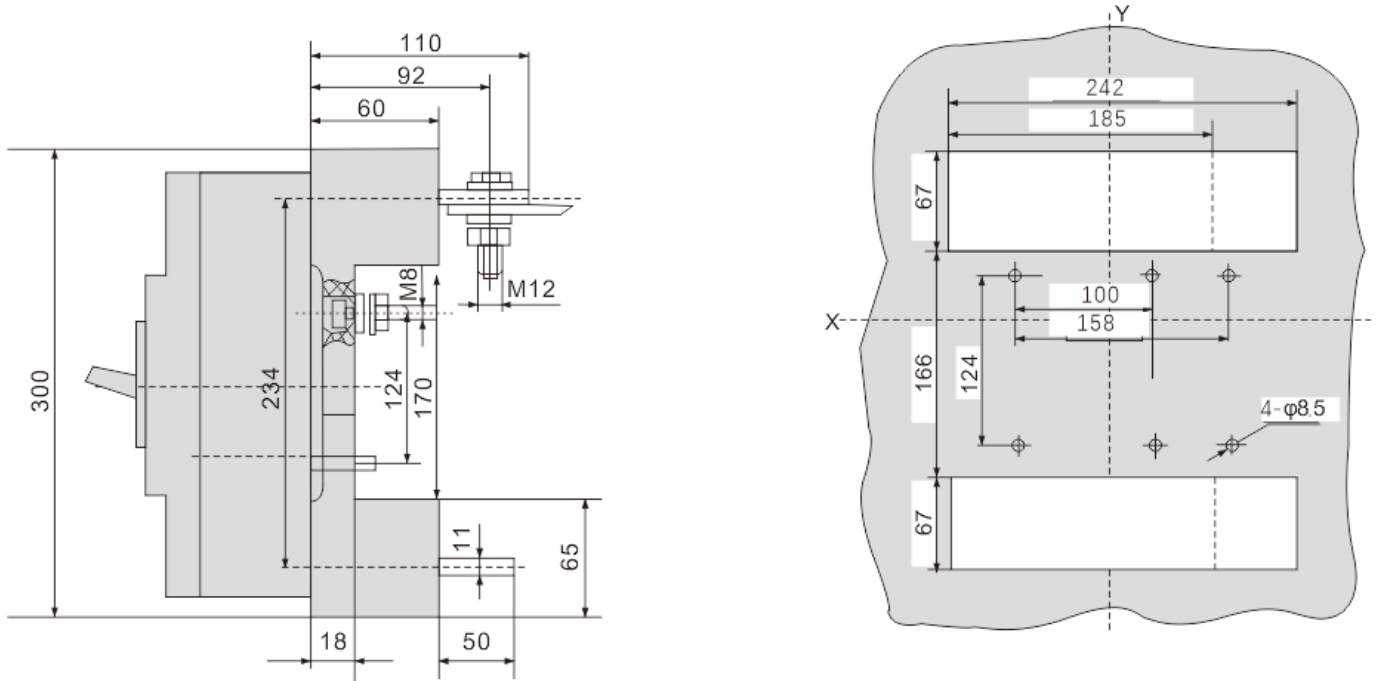


CMTM1-630 back panel connection (3 poles , 4 poles)

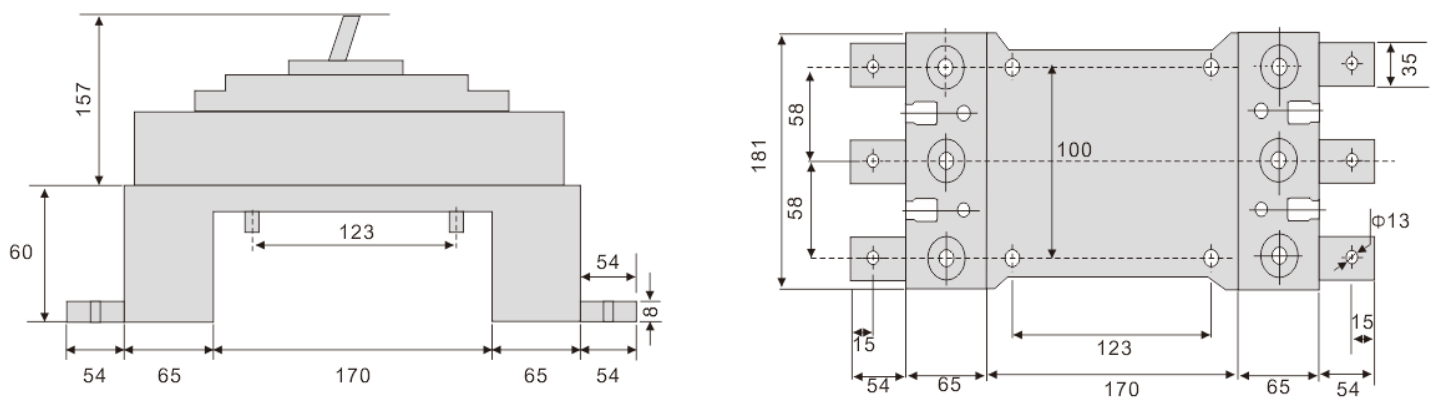


CMTM1 Moulded Case Circuit Breaker

CMTM1-630 plug-in back panel connection (3 poles , 4 poles)

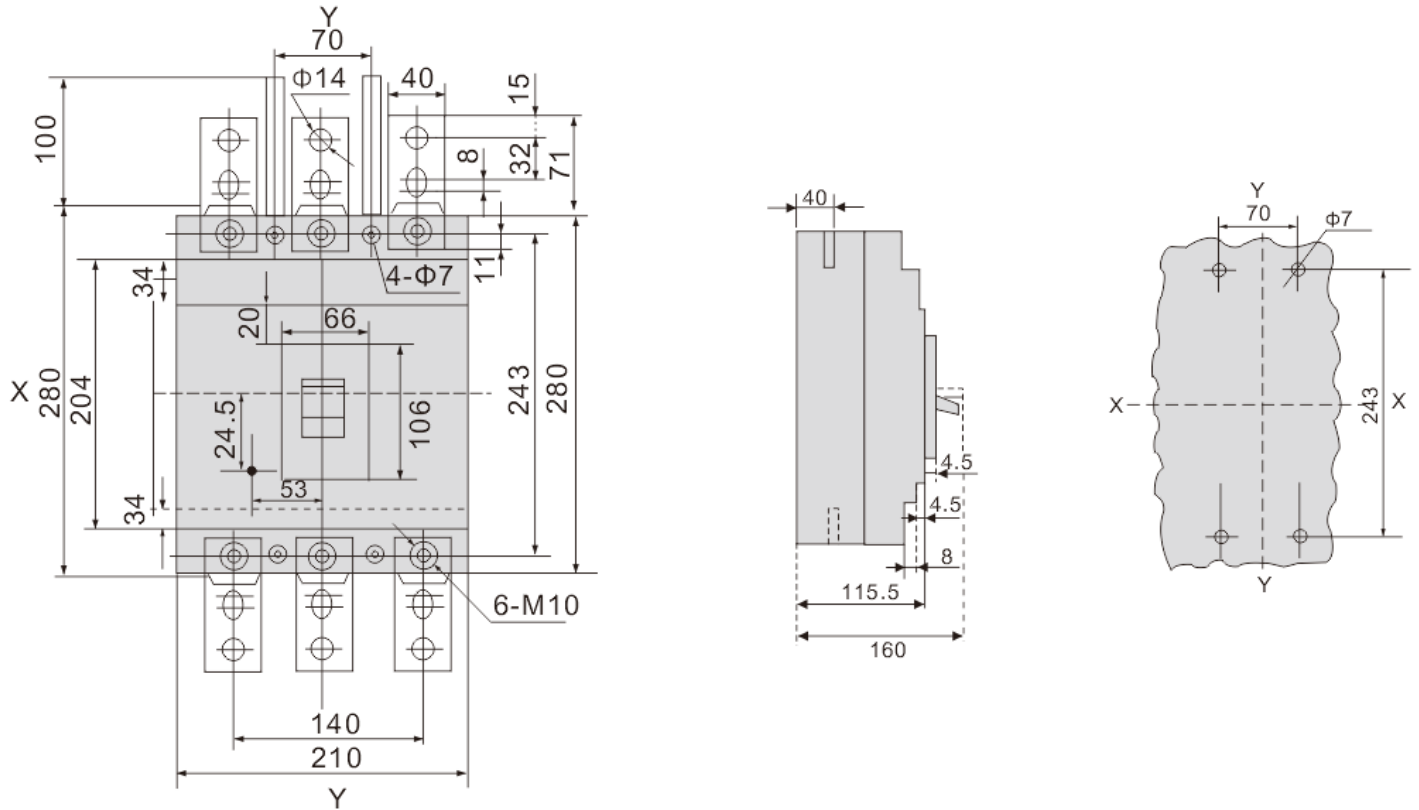


CMTM1-630 plug-in front panel connection (3 poles , 4 poles)

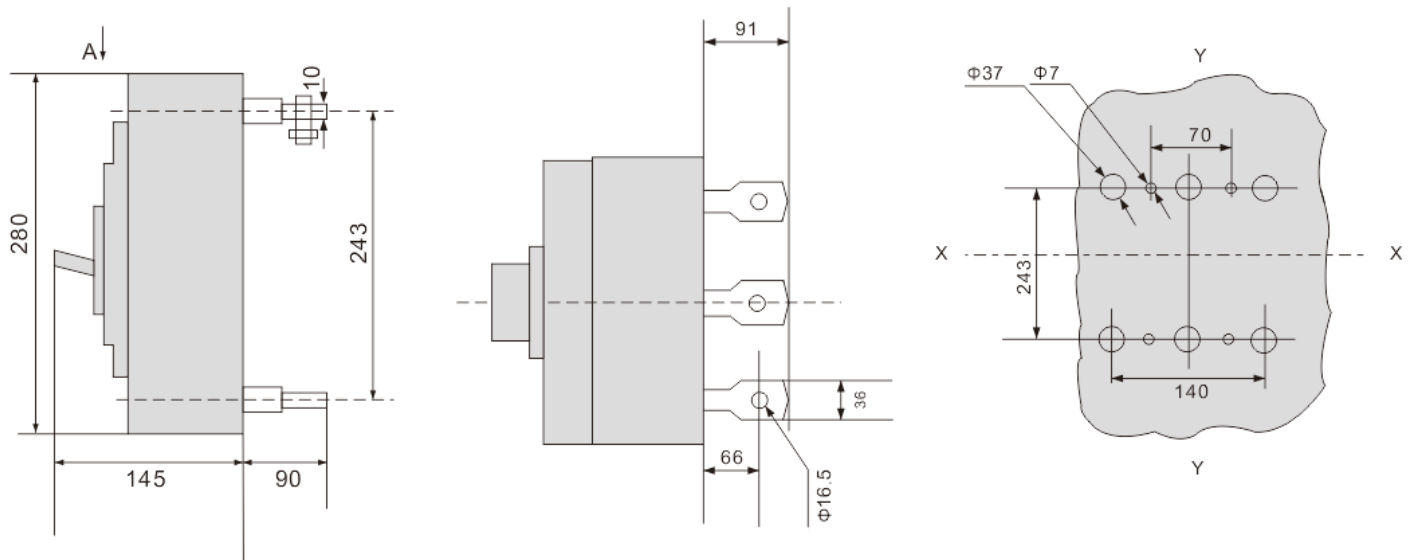


CMTM1 Moulded Case Circuit Breaker

CMTM1-800 front panel connection (3 poles , 4 poles)

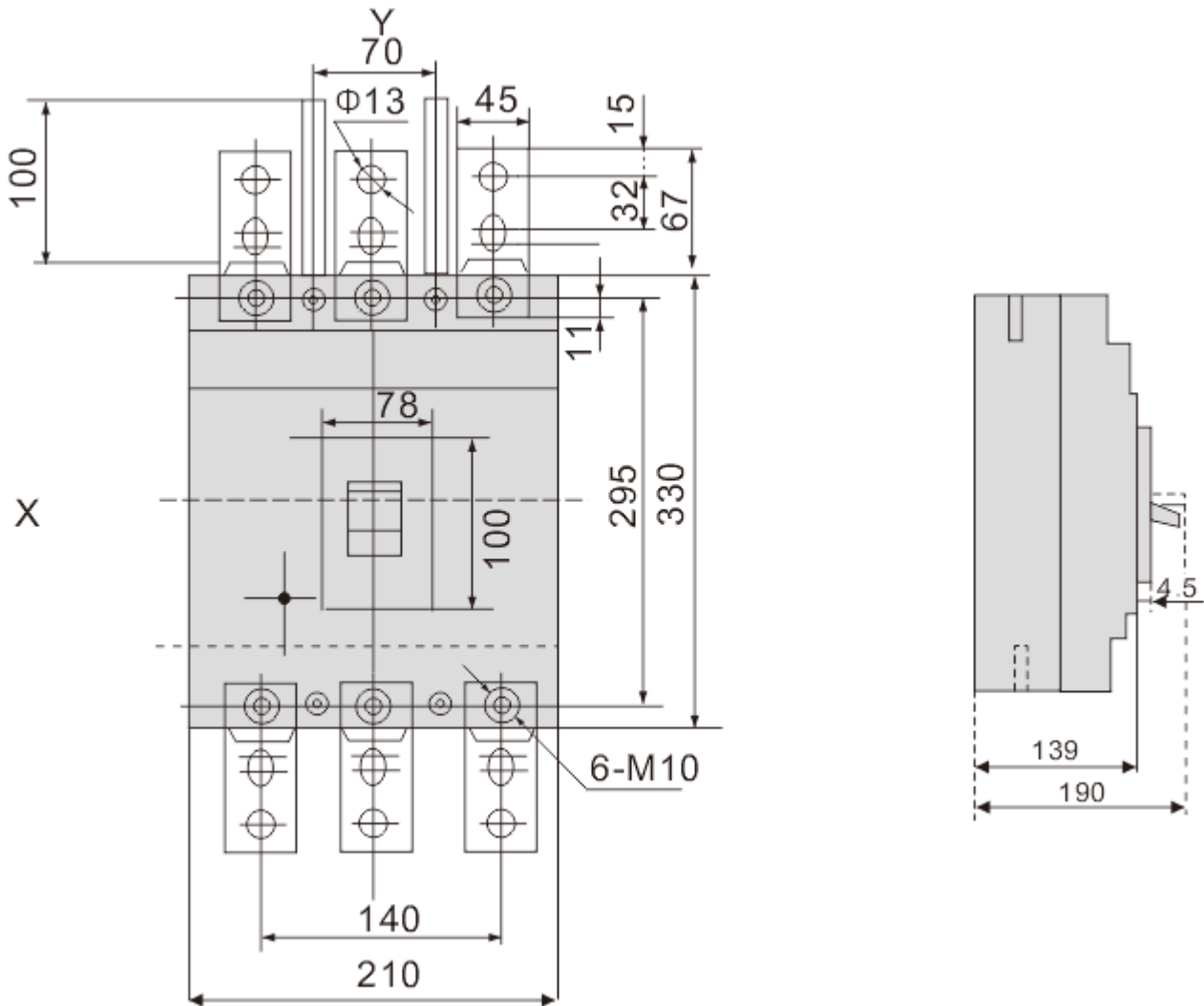


CMTM1-800 back panel connection (3 poles , 4 poles)



CMTM1 Moulded Case Circuit Breaker

CMTM1-1250 front panel connection (3 poles , 4 poles)



CMTM3 Moulded Case Circuit Breaker



CMTM3-250M/3300



CMTM3-125L/3300



CMTM3-630L/3300

1. General

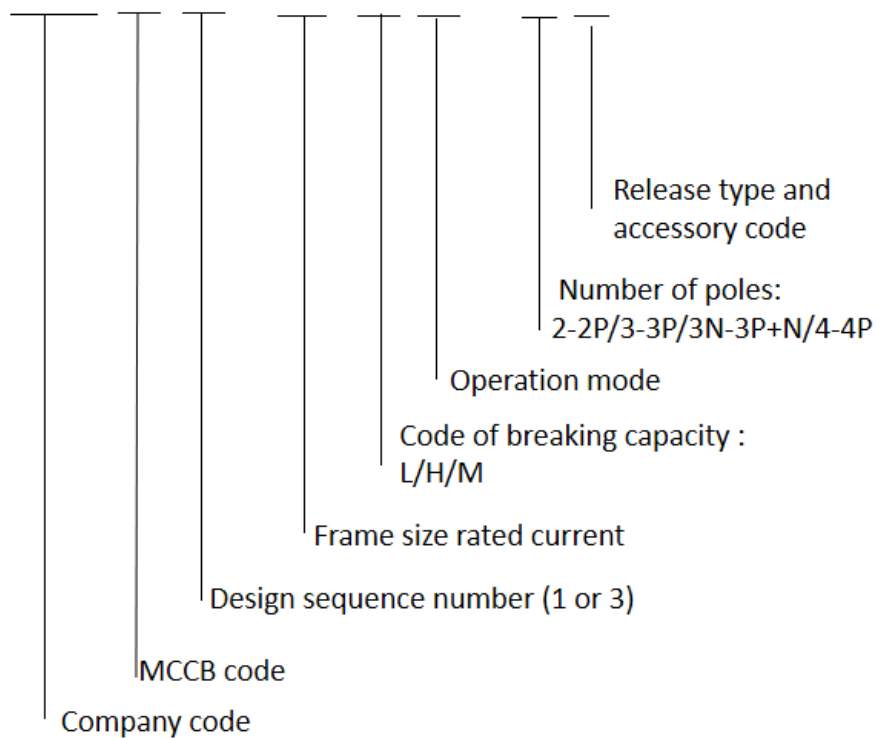
CMTM3 series moulded case circuit breaker is applicable for rated insulation voltage 400/415/660/690/800/1000V , AC50/60Hz, Rated voltage 690V and below and rated current from 10A-800A. It has the feature of compact structure, small size, high breaking capacity, short electric arc, and complete internal and external accessories

CMTM3 MCCB has the function of overload, short circuit and under-voltage protection, can protect the line and power supply device from damage.

The product conforms with the standard of IEC60947-2

2. Type designation

CMT M □ - 125 □ □ / □ □



CMTM3 Moulded Case Circuit Breaker

3. Technical features

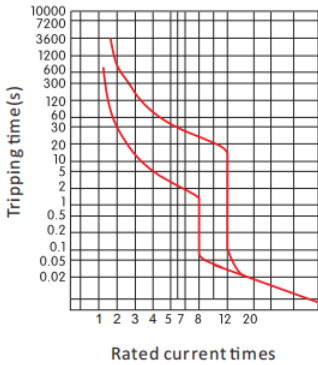
Frame current Inm(A)		125						250						400						
Model NO.		CMTM3 - 125L	CMTM3 - 125M	CMTM3 - 125H	CMTM3 - 250L	CMTM3 - 250M	CMTM3 - 250H	CMTM3 - 400L	CMTM3 - 400M	CMTM3 - 400H										
Rated Current In(A)		10,16,20,25,32,40,50,63,80, 100,125						100,125,140,160,180,200,225, 250						225,250,315,350,400						
Poles		2	3	4	3	4	2	3	4	2	3	4	3	4	2	3	4	3	4	3
Rated Insulation voltage Ui (V)		1000																		
Rated impulse withstand voltage Uimp (V)		1200																		
Rated Voltage Ue (V)		AC400V/690V									AC800V/1000V									
Distance of ARC (mm)		≤50						≤50						≤50						
Rated ultimate short circuit breaking capacity Icu (KA)	AC400V	35	50	85	35	50	85	50	65	100										
	AC690V	/	30	30	/	30	30	/	30	30										
	AC800V AC1000V	/	15	15	/	15	15	/	15	15										
Rated run short circuit breaking capacity Ics (KA)	AC400V	22	35	55	25	35	55	35	42	65										
	AC690V	/	20	20	/	20	20	/	20	20										
	AC800V AC1000V	/	10	10	/	10	10	/	10	10										
Electric life		1500						1000						1000						
Size	W	65	92	122	92	75	107	107	142	107	150	198	150	198	198					
	L	150						150						257						
	H	69	86			86	103			108										
Shunt release		▲						▲						▲						
under-voltage release		▲						▲						▲						
Auxiliary contact		▲						▲						▲						
Alarm contact		▲						▲						▲						
motor operation mechanism		▲						▲						▲						
Extended manual operation handle		▲						▲						▲						

CMTM3 Moulded Case Circuit Breaker

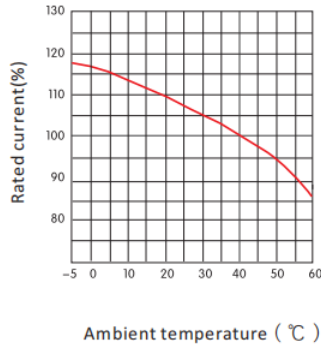
3. Technical features

Frame current Inm(A)		630				800		
Model NO.		CMTM3- 630L	CMTM3- 630M	CMTM3- 630	CMTM3- 800M	CMTM3- 800H		
Rated Current In(A)		400,500,630				630,700,800		
Poles		3	3	4	3	3	4	3
Rated Insulation voltage Ui (V)		1000						
Rated impulse withstand voltage Uimp (V)		1200						
Rated Voltage Ue (V)		AC400V/690V				AC800V/1000V		
Distance of ARC (mm)		≤100						
Rated ultimate short circuit breaking capacity Icu (KA)	AC400V	50	65	100	85	100		
	AC690V	/	30	300	30	30		
	AC800V AC1000V	/	15	15	15	15		
Rated run short circuit breaking capacity Ics (KA)	AC400V	35	42	65	50	85		
	AC690V	/	20	20	20	20		
	AC800V AC1000V	/	10	10	10	10		
Electric life		500				500		
Size	W	182	182	240	182	210	280	210
	L	270				280		
	H	113				116		
Shunt release		▲				▲		
Under-voltage release		▲				▲		
Auxiliary contact		▲				▲		
Alarm contact		▲				▲		
Motor operation mechanism		▲				▲		
Extended manual operation handle		▲				▲		

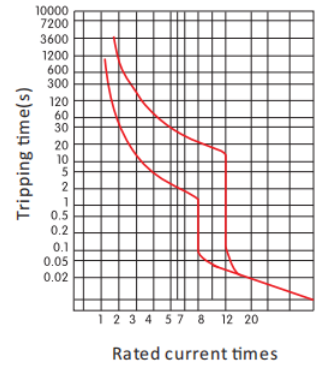
4 .Curve



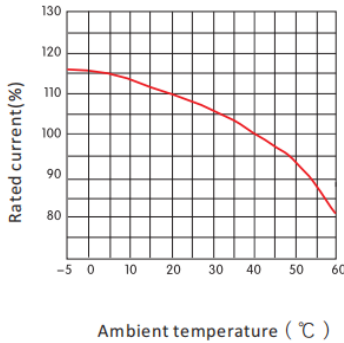
**Characteristic Curve
CMTM3-125(16A-32A)**



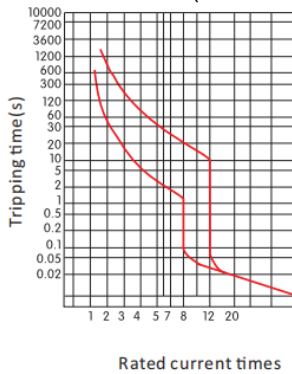
**Adjustment Curve of Temperature
CMTM3-125(16A-32A)**



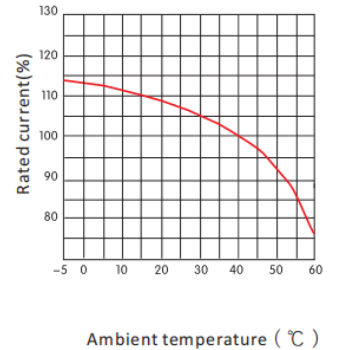
**Characteristic Curve
CMTM3-125(40A-125A)**



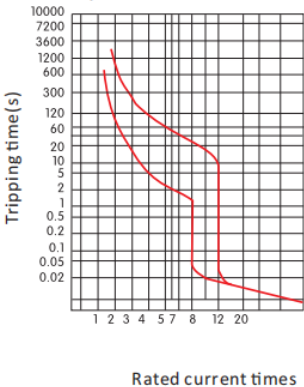
**Adjustment Curve of Temperature
CMTM3-125(40A-125A)**



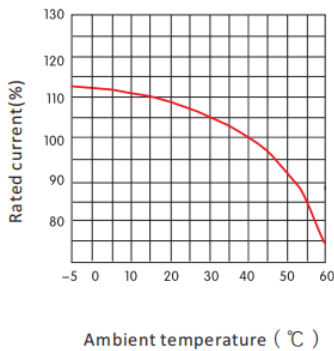
**Characteristic Curve
CMTM3-250**



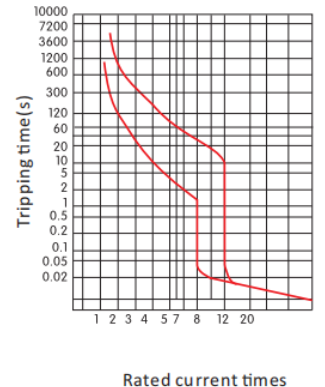
**Adjustment Curve of Temperature
CMTM3-250**



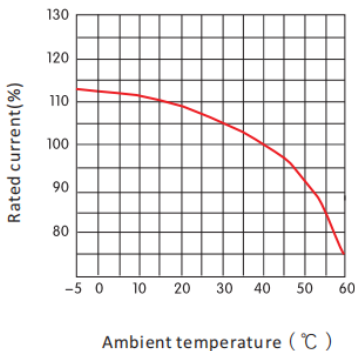
**Characteristic Curve
CMTM3-400**



**Adjustment Curve of Temperature
CMTM3-400**



**Characteristic Curve
CMTM3-630/CMTM3-80**

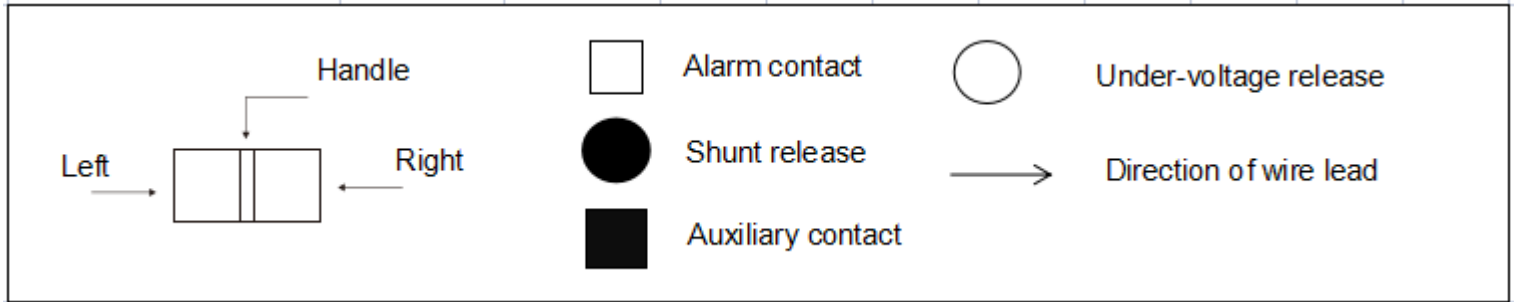


**Adjustment Curve of Temperature
CMTM3-630/CMTM3-800**

n

CMTM3 Moulded Case Circuit Breaker

5. Accessories

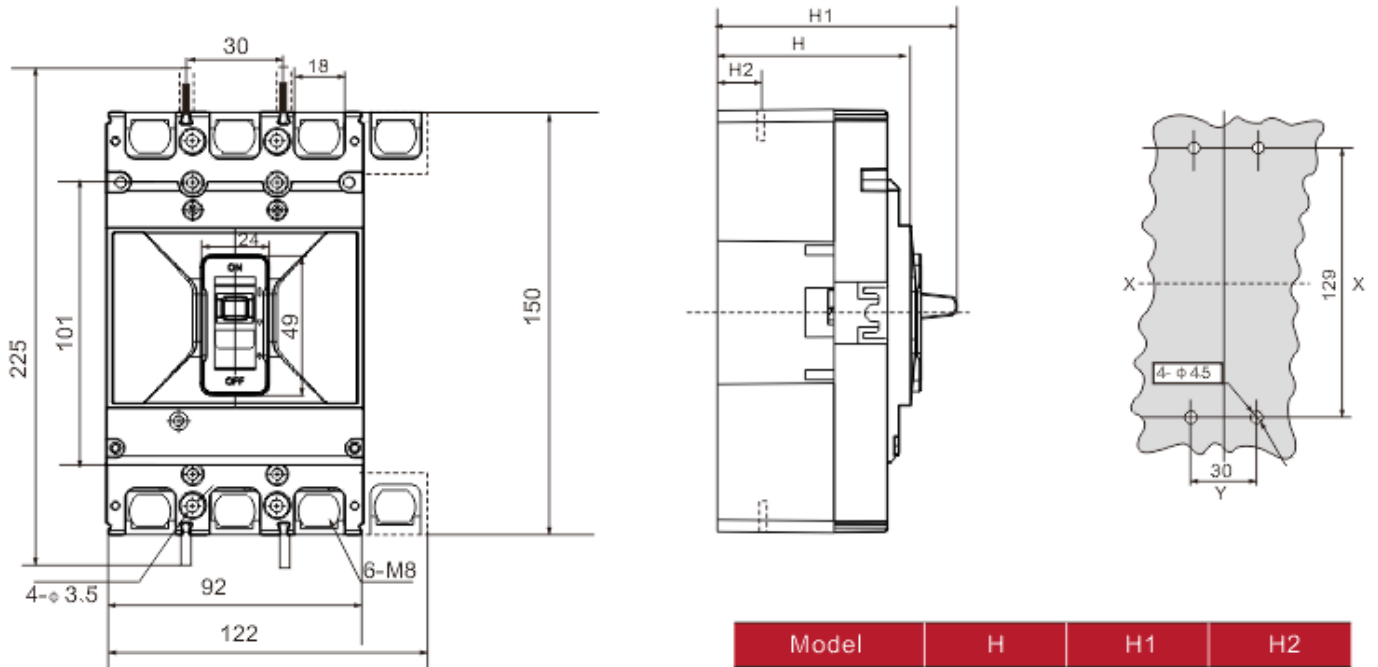


Accessory	Accessory Code		CMTM3-63		CMTM3-125		CMTM3-250		CMTM3-400		CMTM3-630		CMTM3-800	
	Magnetic only	Compound Release	3P	4P	3P	4P	3P	4P	3P	4P	3P	4P	3P	4P
No accessory	200	300												
Alarm contact	208	308	← □ □	← □ □	← □ □	← □ □	← □ □	← □ □	← □ □	← □ □	← □ □	← □ □	← □ □	← □ □
Shunt release	210	310	← ● □	← ● □	← ● □	← ● □	← ● □	← ● □	← ● □	← ● □	← ● □	← ● □	← ● □	← ● □
Auxiliary contact	220	320	□ □ →	□ □ →	□ □ →	□ □ →	□ □ →	□ □ →	□ □ →	□ □ →	□ □ →	□ □ →	□ □ →	□ □ →
Under-voltage release	230	330	□ □ ○ →	□ □ ○ →	□ □ ○ →	□ □ ○ →	□ □ ○ →	□ □ ○ →	□ □ ○ →	□ □ ○ →	□ □ ○ →	□ □ ○ →	□ □ ○ →	□ □ ○ →
Shunt release Auxiliary contact	240	340	← ● □ □ →	← ● □ □ →	← ● □ □ →	← ● □ □ →	← ● □ □ →	← ● □ □ →	← ● □ □ →	← ● □ □ →	← ● □ □ →	← ● □ □ →	← ● □ □ →	← ● □ □ →
Shunt release Under-voltage release	250	350	← ● □ □ ○ →	← ● □ □ ○ →	← ● □ □ ○ →	← ● □ □ ○ →	← ● □ □ ○ →	← ● □ □ ○ →	← ● □ □ ○ →	← ● □ □ ○ →	← ● □ □ ○ →	← ● □ □ ○ →	← ● □ □ ○ →	← ● □ □ ○ →
Two groups of auxiliary contacts	260	360	← □ □ □ →	← □ □ □ →	← □ □ □ →	← □ □ □ →	← □ □ □ →	← □ □ □ →	← □ □ □ →	← □ □ □ →	← □ □ □ →	← □ □ □ →	← □ □ □ →	← □ □ □ →
Auxiliary contact Under-voltage release	270	370	← □ □ □ ○ →	← □ □ □ ○ →	← □ □ □ ○ →	← □ □ □ ○ →	← □ □ □ ○ →	← □ □ □ ○ →	← □ □ □ ○ →	← □ □ □ ○ →	← □ □ □ ○ →	← □ □ □ ○ →	← □ □ □ ○ →	← □ □ □ ○ →
Shunt release Alarm contact	218	318	← □ □ ● □	← □ □ ● □	← □ □ ● □	← □ □ ● □	← □ □ ● □	← □ □ ● □	← □ □ ● □	← □ □ ● □	← □ □ ● □	← □ □ ● □	← □ □ ● □	← □ □ ● □
Auxiliary contact Alarm release	228	328	← □ □ □ □ →	← □ □ □ □ →	← □ □ □ □ →	← □ □ □ □ →	← □ □ □ □ →	← □ □ □ □ →	← □ □ □ □ →	← □ □ □ □ →	← □ □ □ □ →	← □ □ □ □ →	← □ □ □ □ →	← □ □ □ □ →
Alarm contact Under-voltage release	238	338	← □ □ □ ○ →	← □ □ □ ○ →	← □ □ □ ○ →	← □ □ □ ○ →	← □ □ □ ○ →	← □ □ □ ○ →	← □ □ □ ○ →	← □ □ □ ○ →	← □ □ □ ○ →	← □ □ □ ○ →	← □ □ □ ○ →	← □ □ □ ○ →
Shunt release Alarm contact Auxiliary contact	248	348	← □ □ ● □ □ →	← □ □ ● □ □ →	← □ □ ● □ □ →	← □ □ ● □ □ →	← □ □ ● □ □ →	← □ □ ● □ □ →	← □ □ ● □ □ →	← □ □ ● □ □ →	← □ □ ● □ □ →	← □ □ ● □ □ →	← □ □ ● □ □ →	← □ □ ● □ □ →
Two group of auxiliary contact Alarm contact	268	368	← □ □ □ □ →	← □ □ □ □ →	← □ □ □ □ →	← □ □ □ □ →	← □ □ □ □ →	← □ □ □ □ →	← □ □ □ □ →	← □ □ □ □ →	← □ □ □ □ →	← □ □ □ □ →	← □ □ □ □ →	← □ □ □ □ →
Alarm contact Under-voltage release Auxiliary contact	278	378	← □ □ □ □ ○ →	← □ □ □ □ ○ →	← □ □ □ □ ○ →	← □ □ □ □ ○ →	← □ □ □ □ ○ →	← □ □ □ □ ○ →	← □ □ □ □ ○ →	← □ □ □ □ ○ →	← □ □ □ □ ○ →	← □ □ □ □ ○ →	← □ □ □ □ ○ →	← □ □ □ □ ○ →

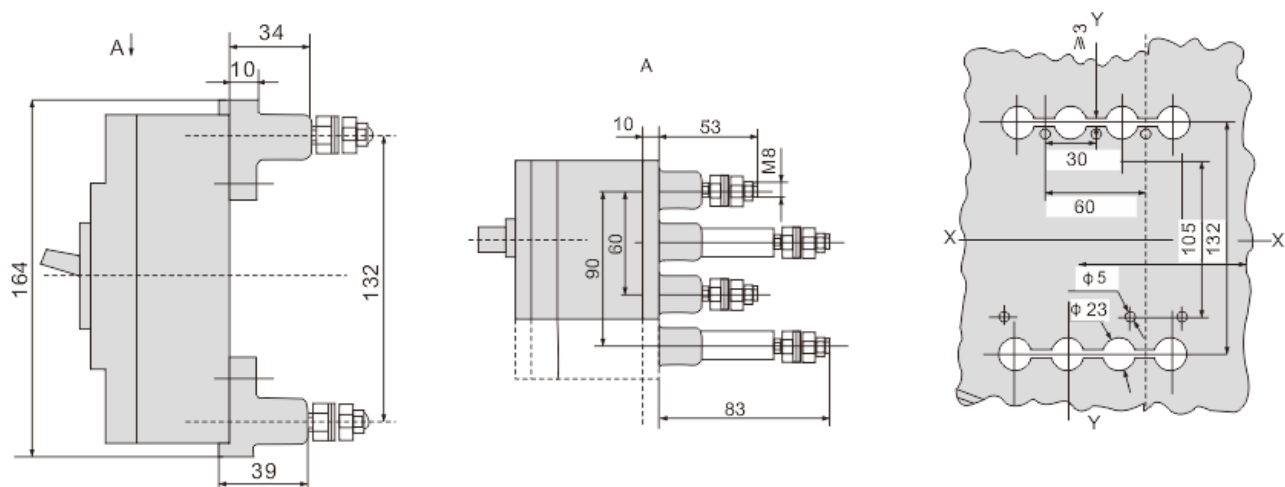
CMTM3 Moulded Case Circuit Breaker

6 .Outline and installation dimension (mm)

CMTM3-125 front panel connection (3 poles , 4 poles)

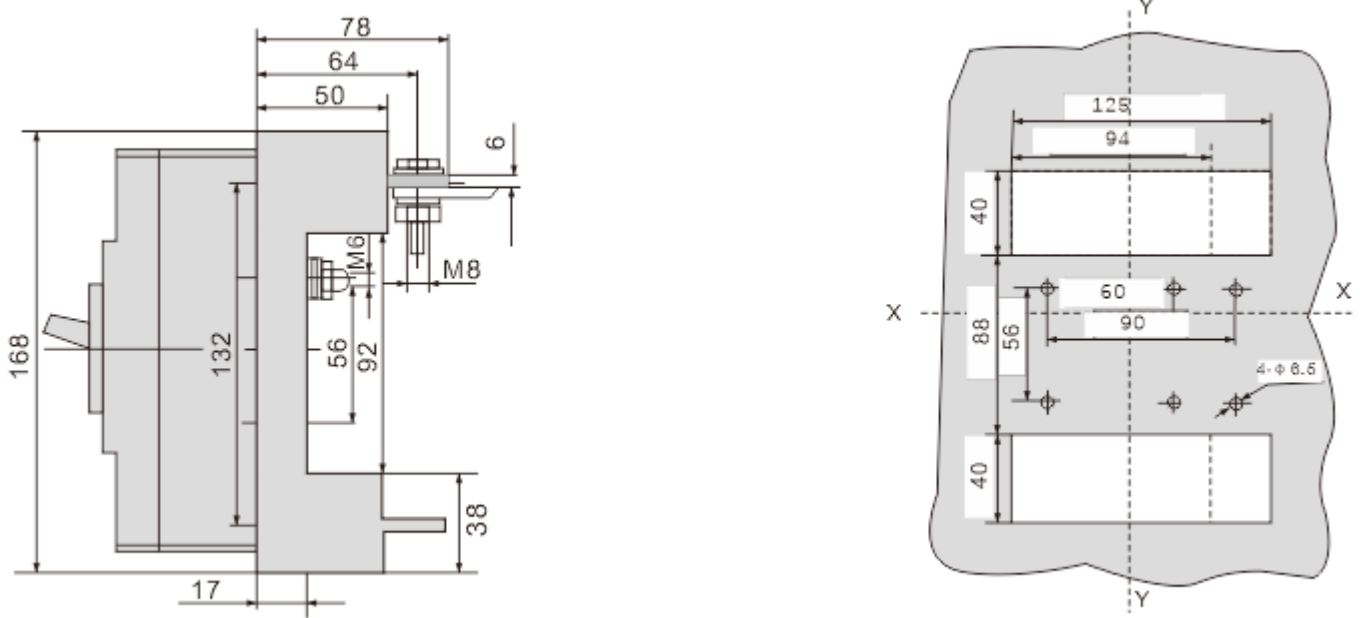


CMTM3-125 back panel connection (3 poles , 4 poles)

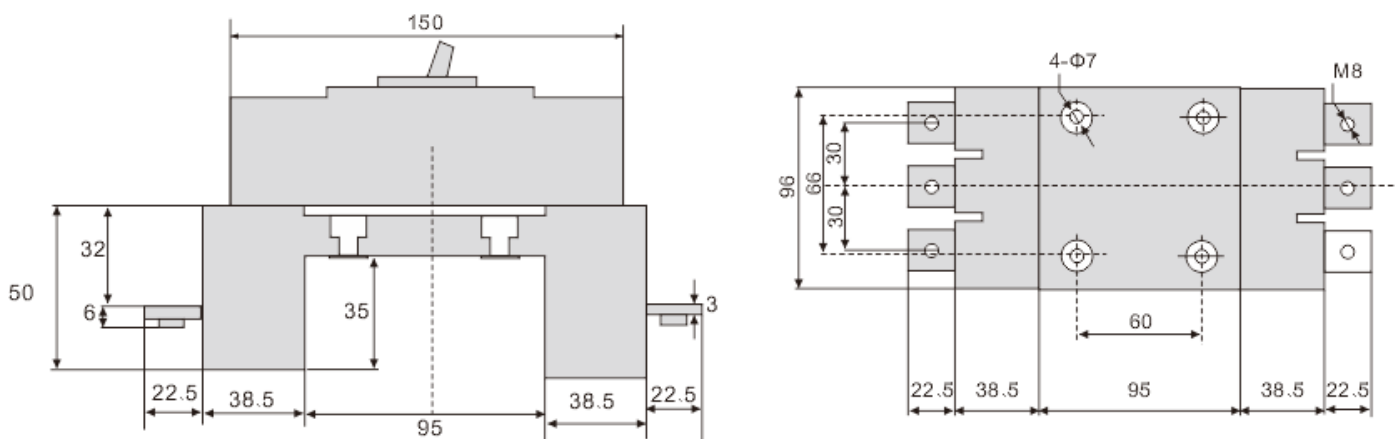


CMTM3 Moulded Case Circuit Breaker

CMTM3-125 plug-in back panel connection (3 poles , 4 poles)

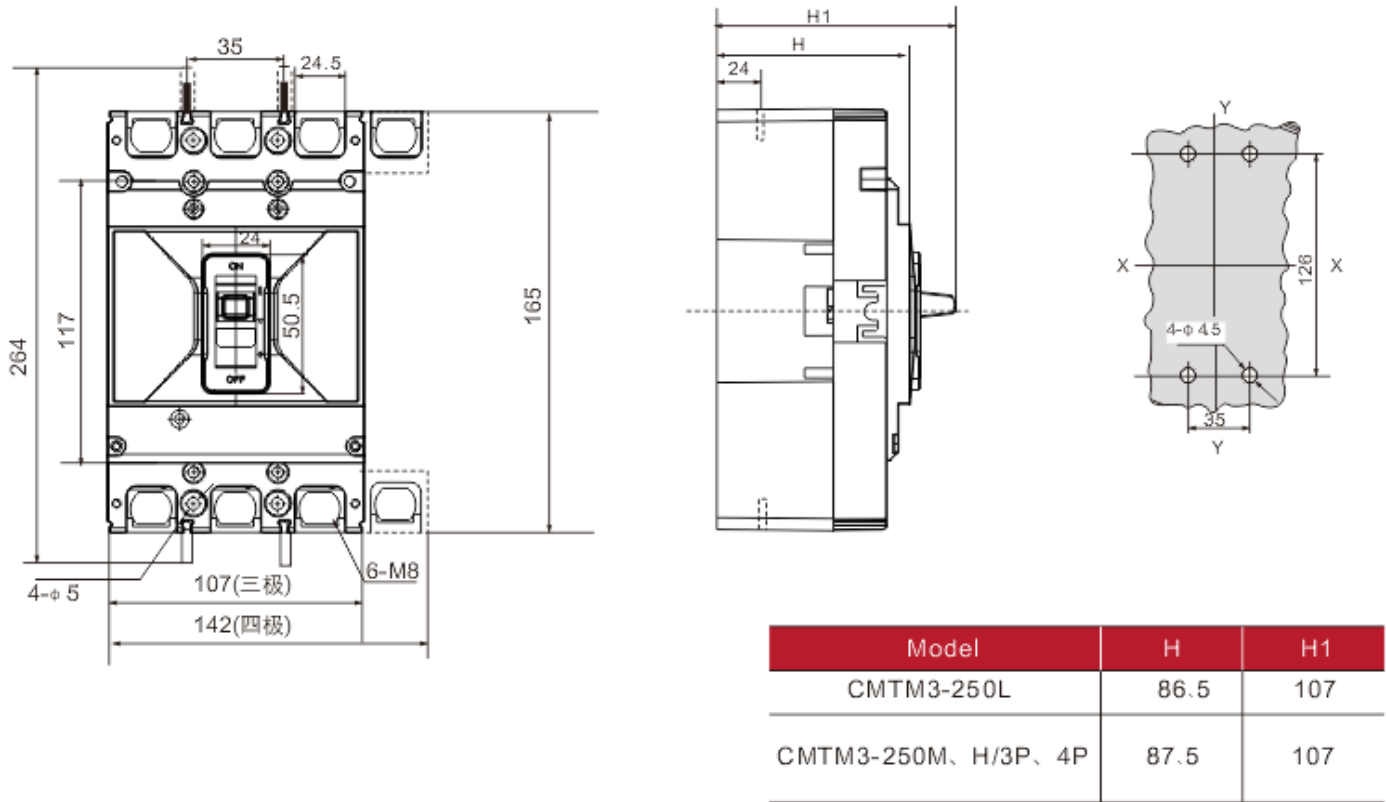


CMTM3-125 plug-in front panel connection (3 poles , 4 poles)

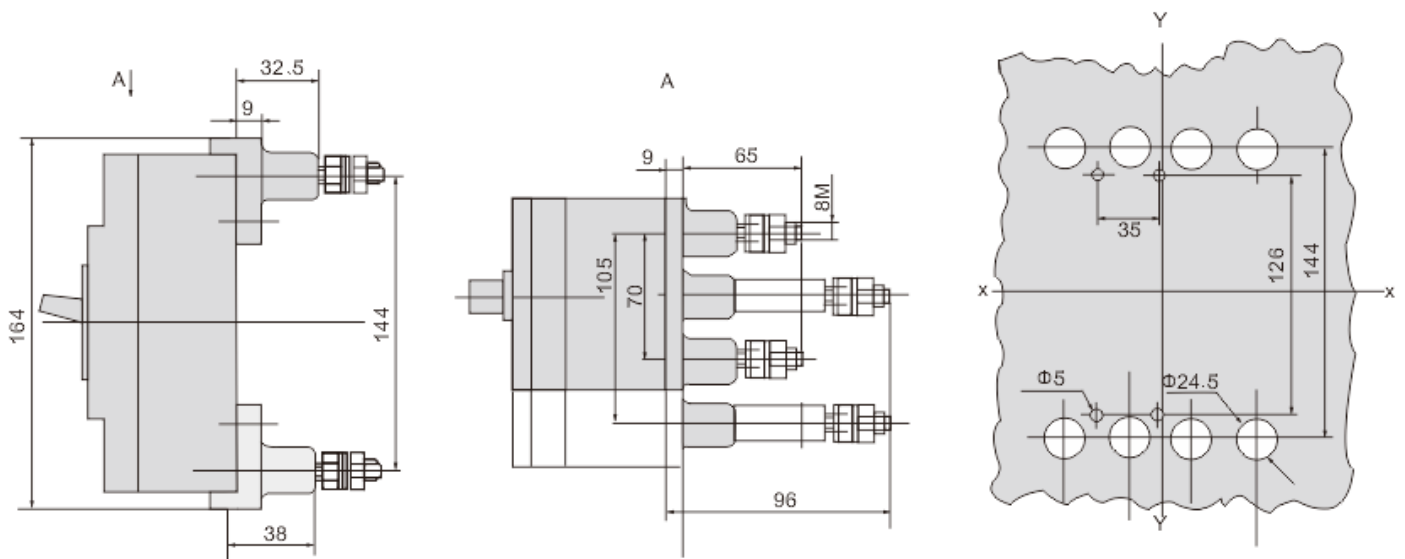


CMTM3 Moulded Case Circuit Breaker

CMTM3-250 front panel connection (3 poles , 4 poles)

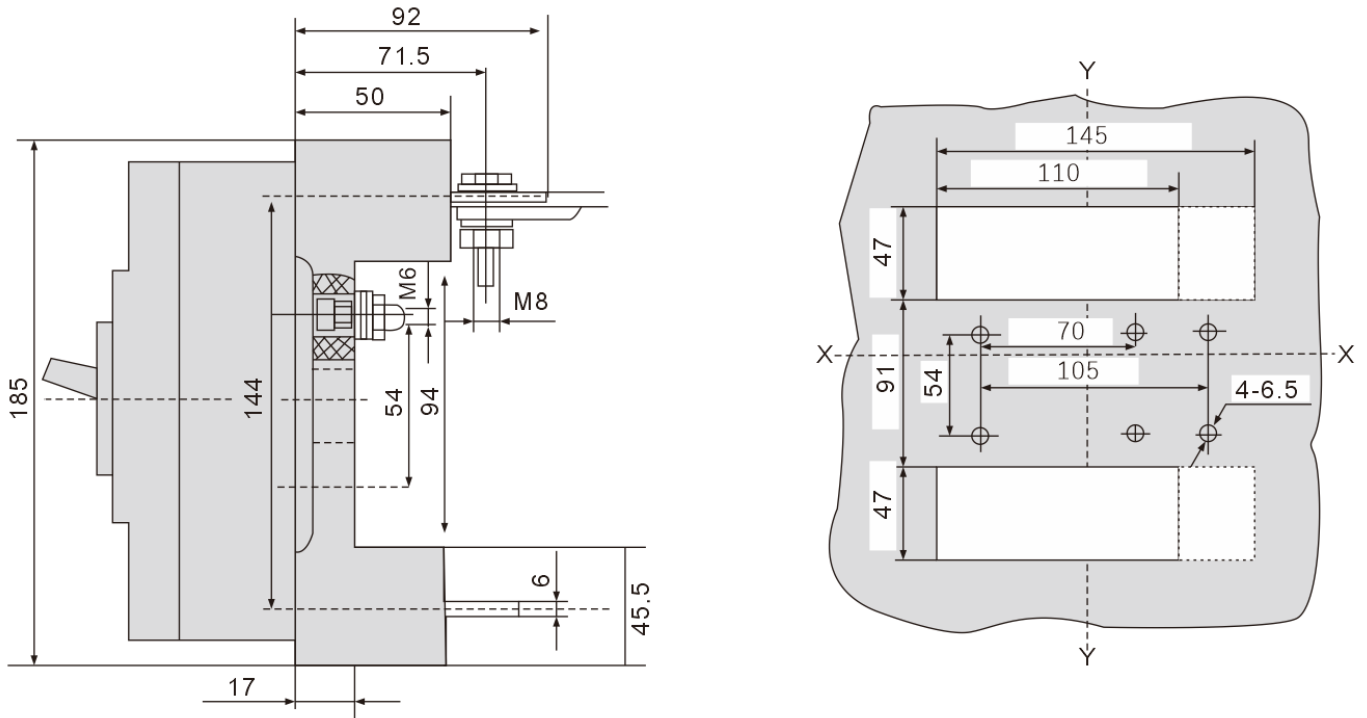


CMTM3-250 back panel connection (3 poles , 4 poles)

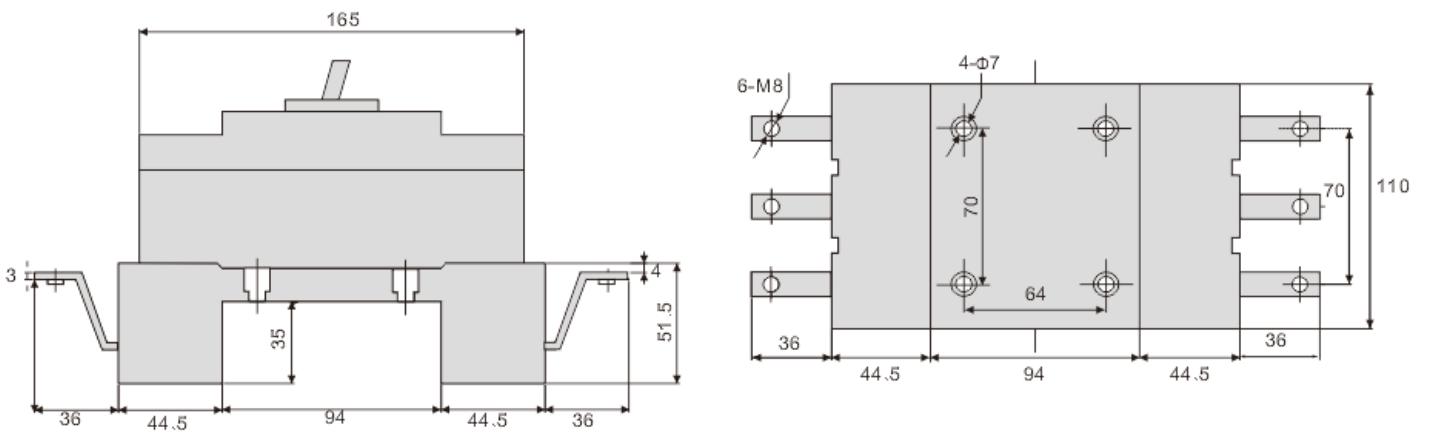


CMTM3 Moulded Case Circuit Breaker

CMTM3-250 plug-in back panel connection (3 poles , 4 poles)

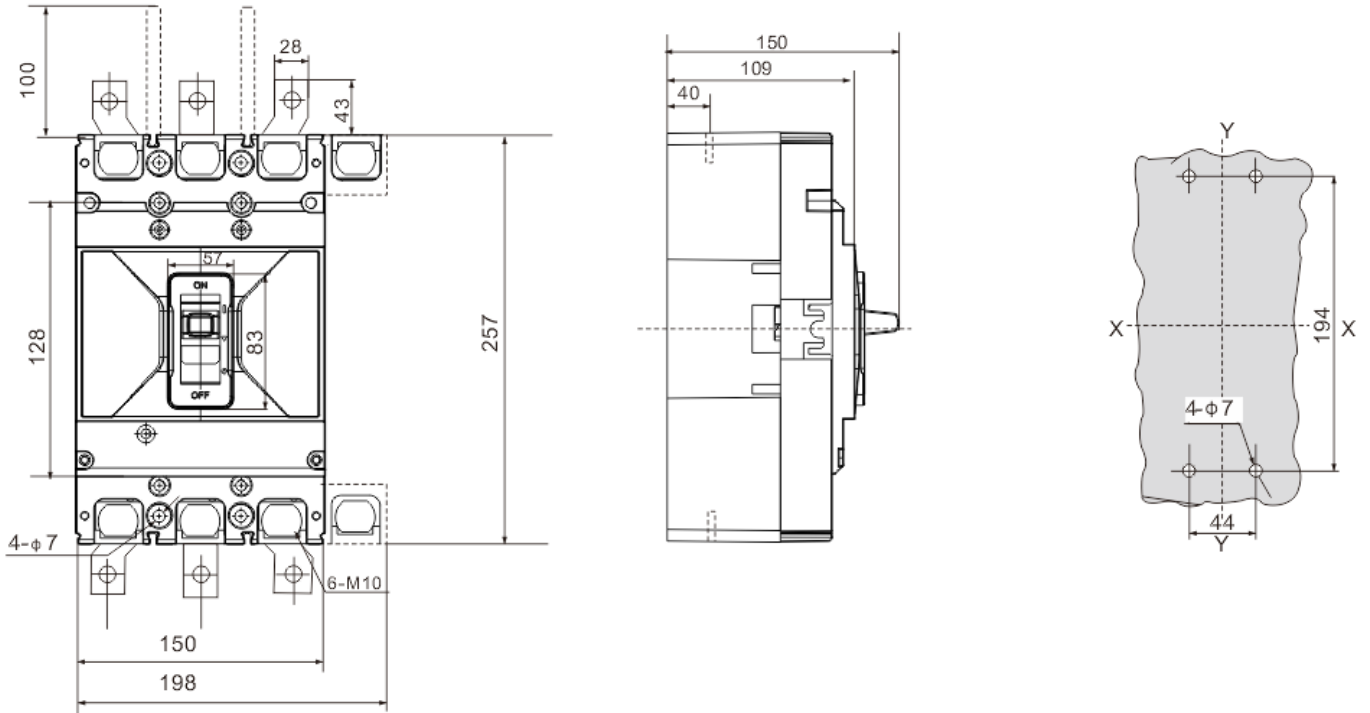


CMTM3-250 plug-in front panel connection (3 poles , 4 poles)

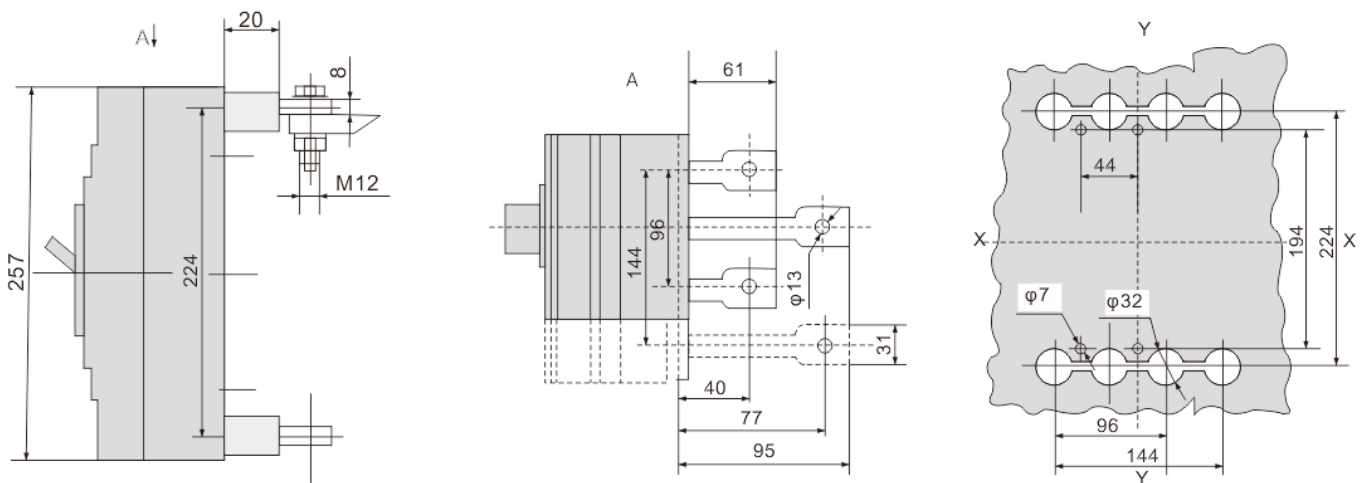


CMTM3 Moulded Case Circuit Breaker

CMTM3-400 front panel connection (3 poles , 4 poles)

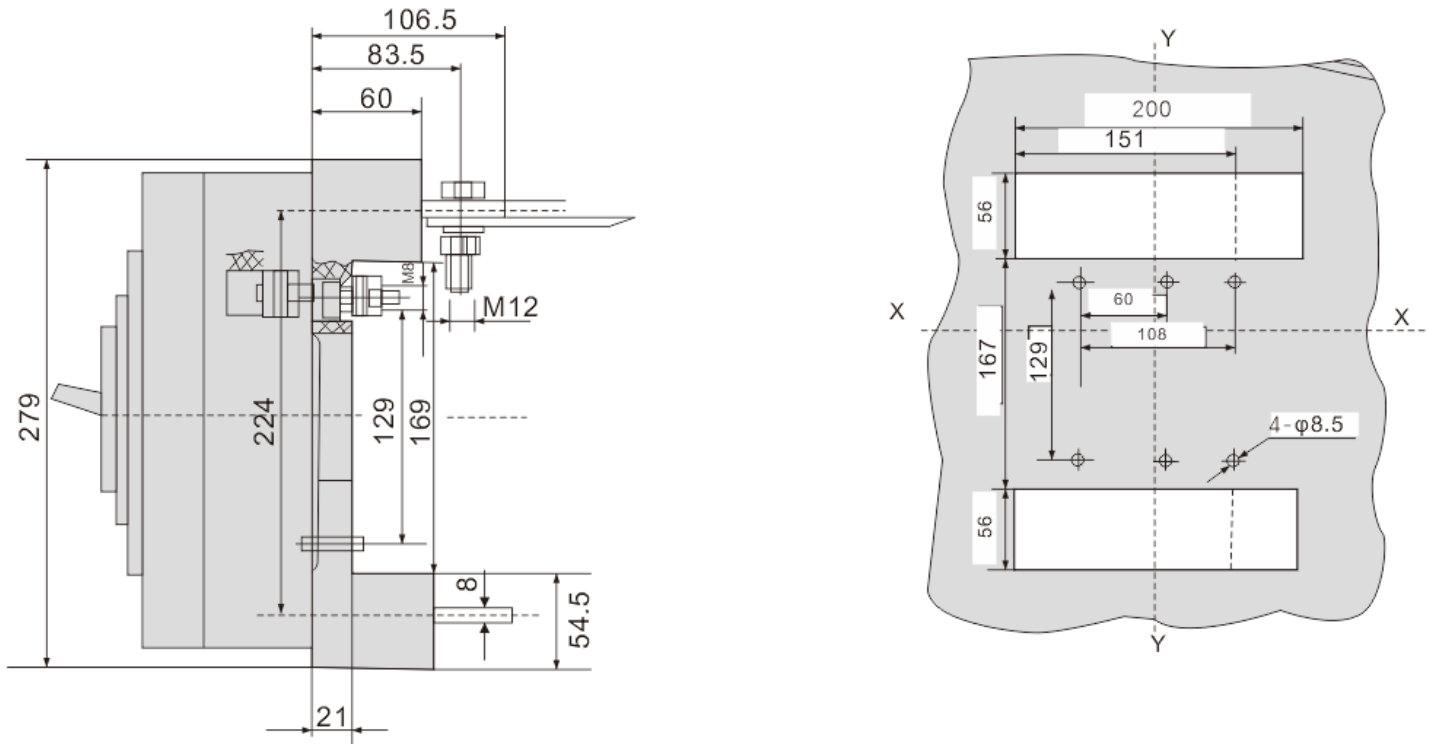


CMTM3-400 back panel connection (3 poles , 4 poles)

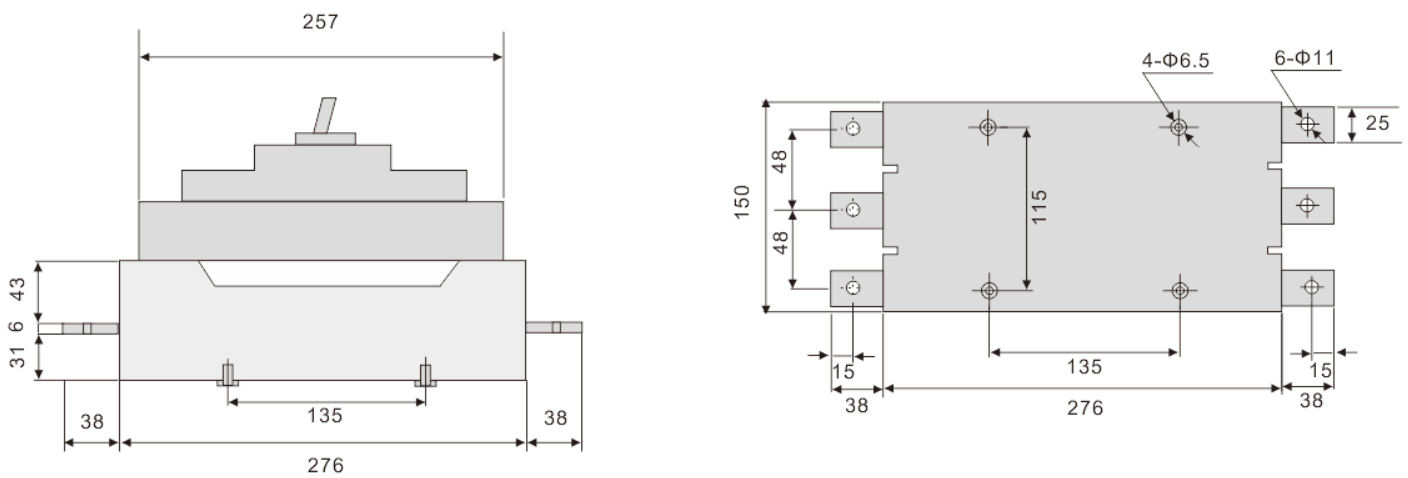


CMTM3 Moulded Case Circuit Breaker

CMTM3-400 plug-in back panel connection (3 poles , 4 poles)

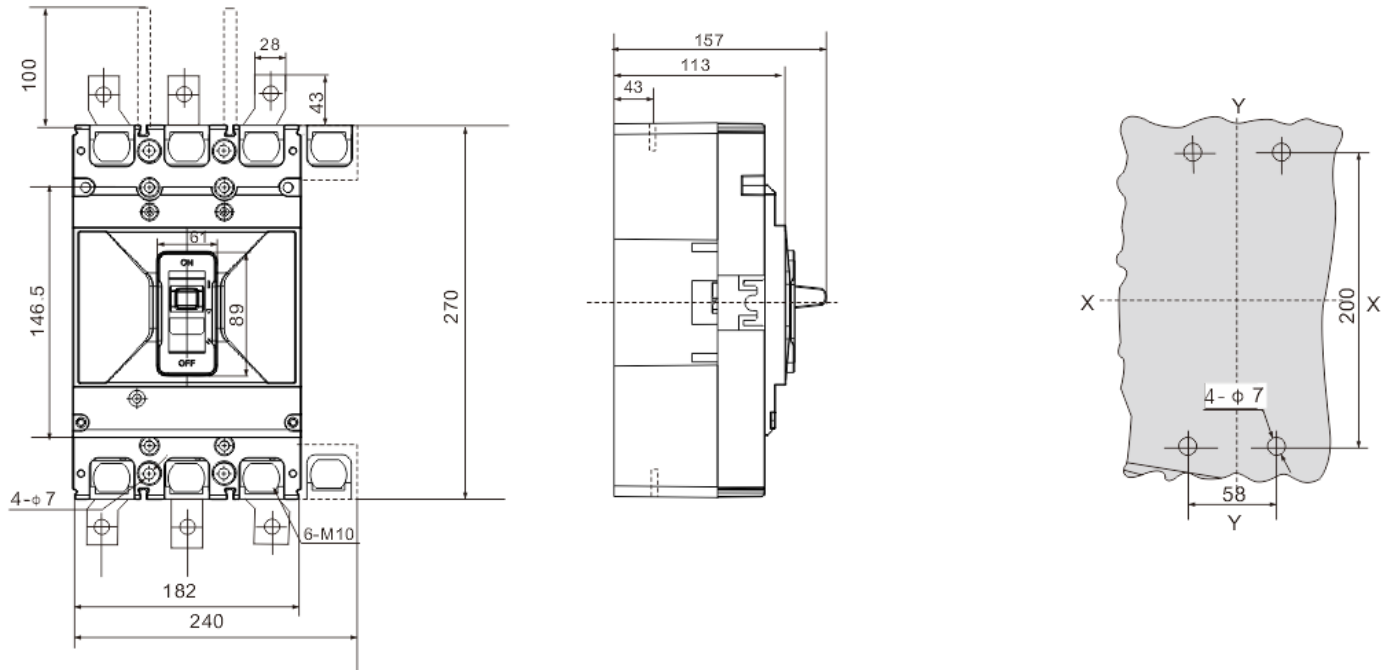


CMTM3-400 plug-in front panel connection (3 poles , 4 poles)

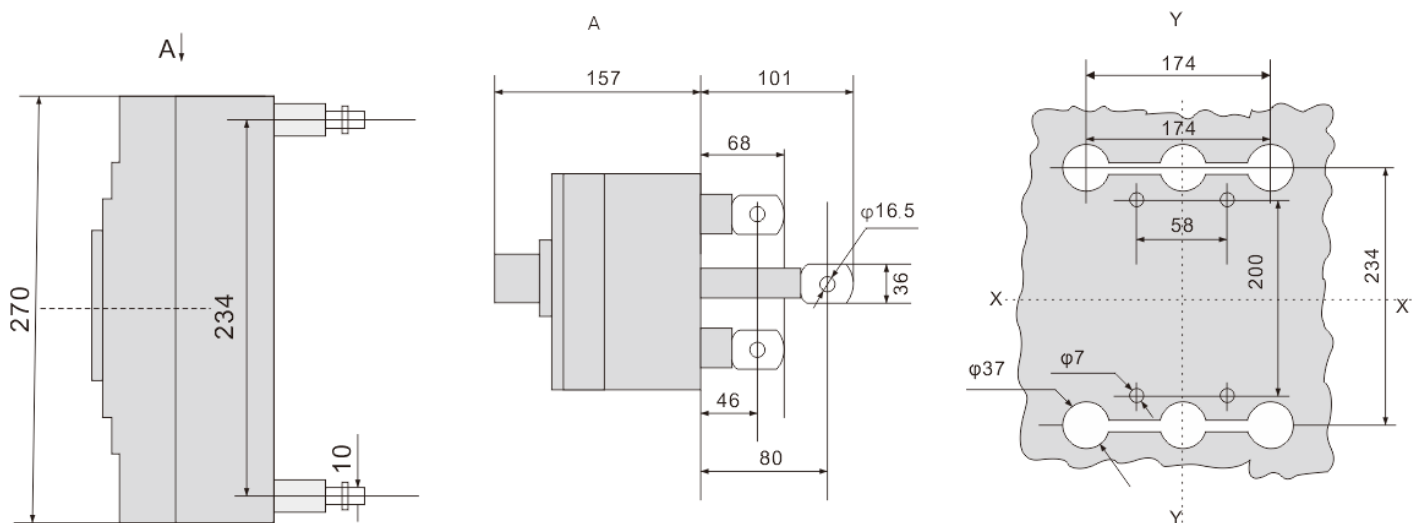


CMTM3 Moulded Case Circuit Breaker

CMTM3-630 front panel connection (3 poles , 4 poles)

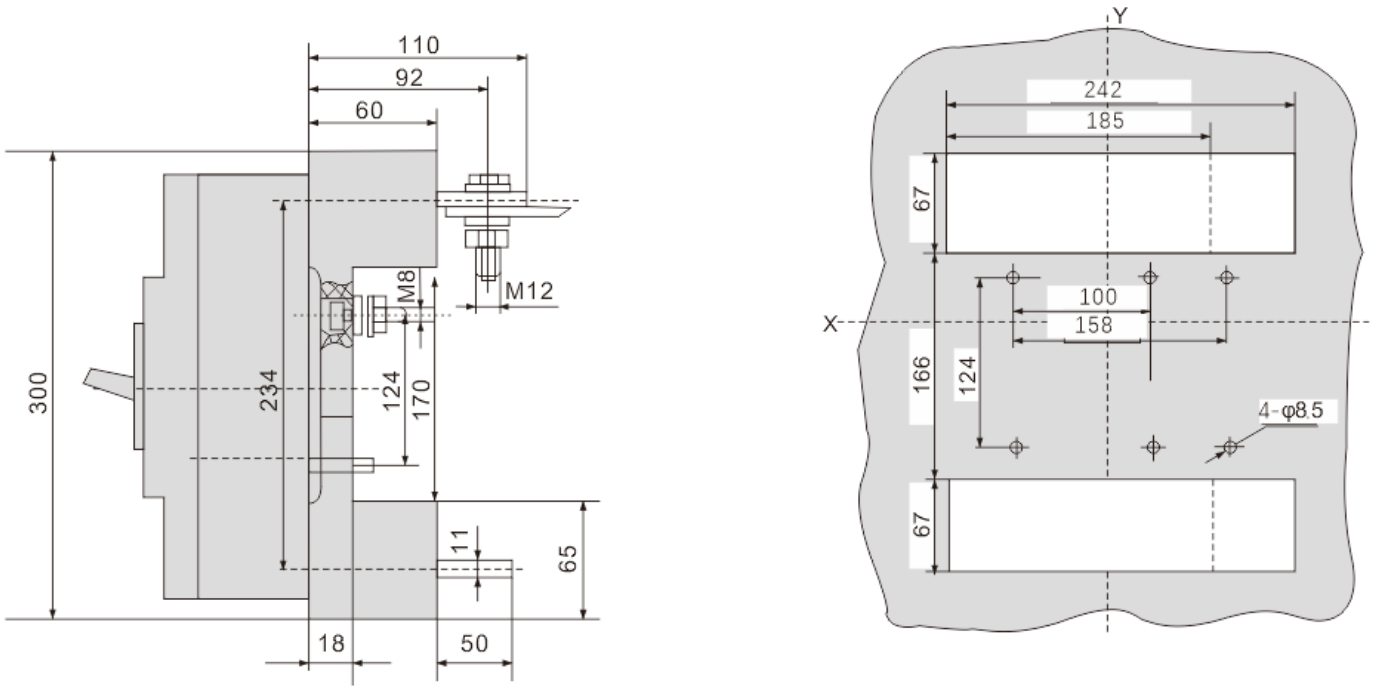


CMTM3-630 back panel connection (3 poles , 4 poles)

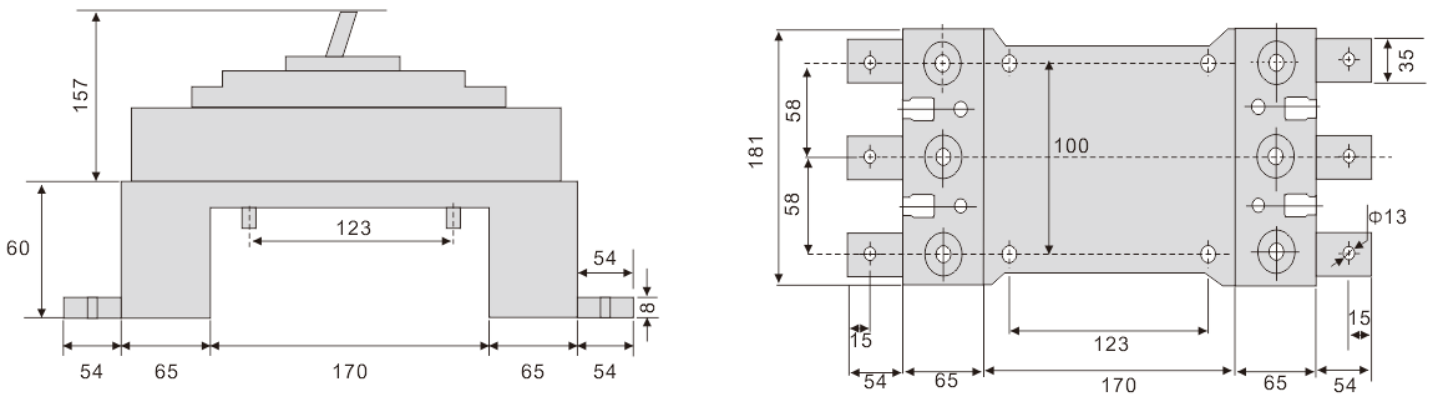


CMTM3 Moulded Case Circuit Breaker

CMTM3-630 plug-in back panel connection (3 poles , 4 poles)

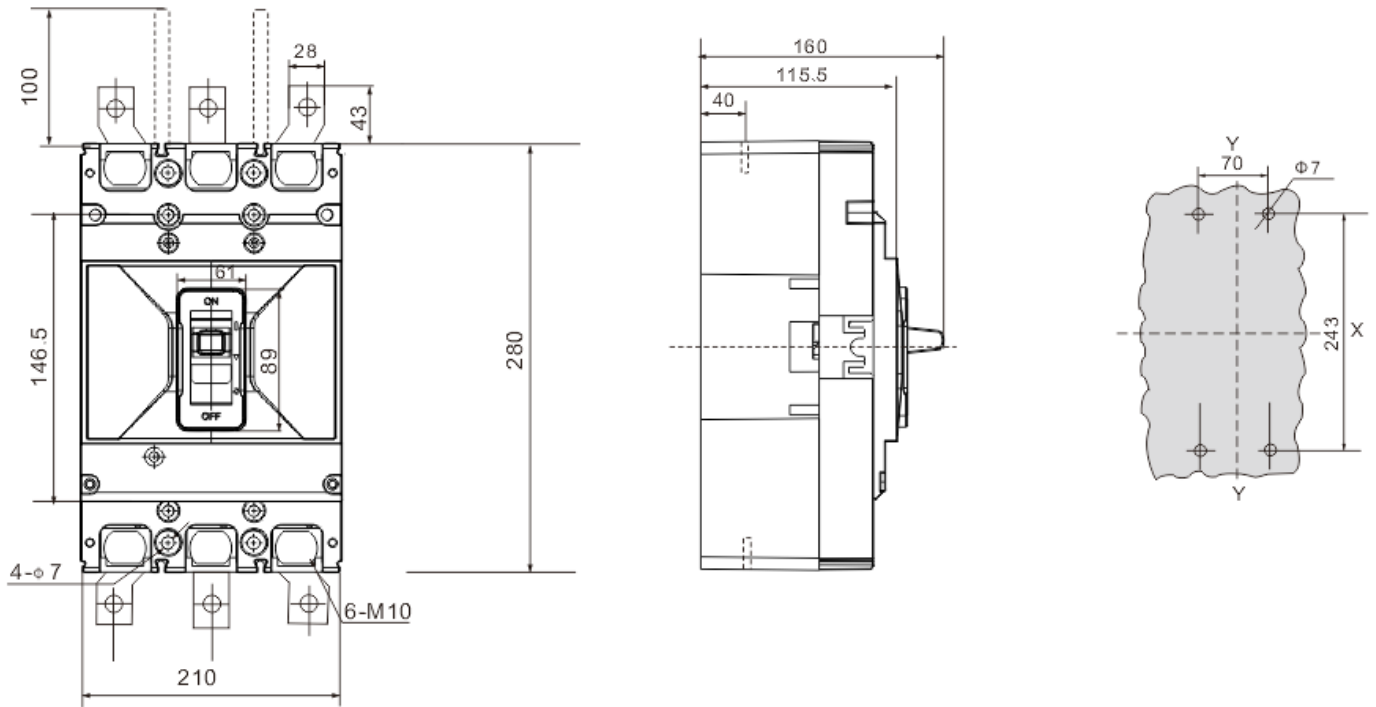


CMTM3-630 plug-in front panel connection (3 poles , 4 poles)

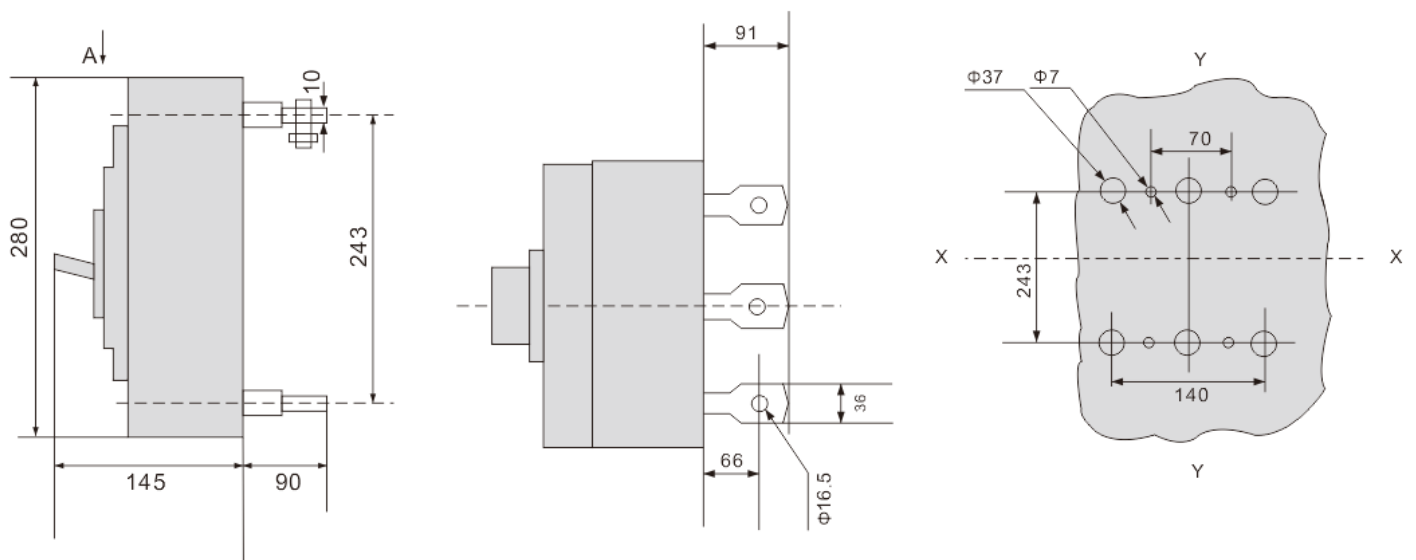


CMTM3 Moulded Case Circuit Breaker

CMTM3-800 front panel connection (3 poles , 4 poles)



CMTM3-800 back panel connection (3 poles , 4 poles)



CMTM6RT Adjustable Moulded Case Circuit Breaker



CMTM6RT-250H

1.General

CMTM6RT adjustable moulded case circuit breaker is new upgraded circuit breaker searched by company combined with the advantages of similar international products and demand of domestic and international market.

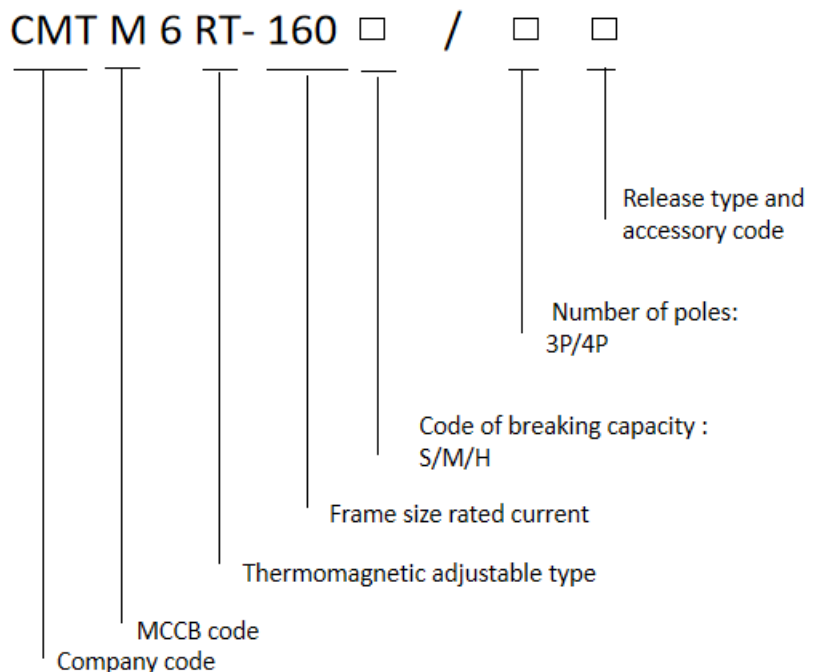
The product is applicable for distribution system of AC50/60Hz ,rated voltage up to 690V, and rated current from 20A-800A. It used to distribute electric power energy, protect circuits and power equipment against overload, short circuit, undervoltage .It also can be used for conversion of line and infrequent starting motor.

The product conforms with the standard of IEC60947-2



CMTM6RT-400H

2.Type designation



CMTM6RT Adjustable Moulded Case Circuit Breaker

3. Technical features

Frame current Inm(A)		160			250		
Model NO.		CMTM6RT-160S	CMTM6RT-160M	CMTM6RT-160H	CMTM6RT-250S	CMTM6RT-250M	CMTM6RT-250H
Poles		3,4			3,4		
Rated Current In(A)		20-25,25-32,32-40,40-50,50-63,63-80,80-100,100-125,125-160			100-125, 125-160,160-200,200-250		
Rated Voltage Ue (V)		AC400V			AC400V		
Rated Insulation voltage Ui (V)		AC1000V			AC1000V		
Short Circuit breaking capacity (KA) Icu/Ics	AC400V	35/25	50/35	70/50	35/25	50/35	85/50
Operating cycle number	ON	3000	3000	3000	3000	3000	3000
	OFF	7000	7000	7000	7000	7000	7000
Electric operating device(MD)		●	●	●	●	●	●
External driving operating handle		●	●	●	●	●	●
Automatic release		Thermal electromagnetic type			Thermal electromagnetic type		

CMTM6RT Adjustable Moulded Case Circuit Breaker

3. Technical features

Frame current Inm(A)		400		630		800	
Model NO.		CMTM6RT-400S	CMTM6RT-400M	CMTM6RT-630S	CMTM6RT-630M	CMTM6RT-800S	CMTM6RT-800M
Poles		3,4		3,4		3,4	
Rated Current In(A)		200-250,250-320,320-400		400-500,500-630		400-500,500-630,630-800	
Rated Voltage Ue (V)		AC400V		AC400V		AC400V	
Rated Insulation voltage Ui (V)		AC1000V		AC1000V		AC1000V	
Short Circuit breaking capacity (KA) Icu/Ics	AC400V	50/35	70/50	50/35	70/50	50/35	85/50
Operating cycle number	ON	2000	2000	2000	2000	1500	1500
	OFF	4000	4000	4000	4000	4000	4000
Electric operating device(MD)		●	●	●	●	●	●
External driving operating handle		●	●	●	●	●	●
Automatic release		Thermal electromagnetic type		Thermal electromagnetic type		Thermal electromagnetic type	

CMTW1 Air Circuit Breaker

1. General

CMTW1 series air circuit breaker is applicable for power distribution network with AC50/60 Hz, rated voltage 400/415/600/690V, and rated current 200~6300A. This circuit breaker has intelligent protection function and accurate selective protection, it improves reliability of power supply and avoids unnecessary power failure. Such ACB can divide the power and protect the line and power device from overload, under- voltage ,short circuit ... CMTW1 can be mainly used in power stations, factories, mines and modern high-rise buildings with smart power distribution system.

The product conforms with the standard of IEC/EN 60947-2.



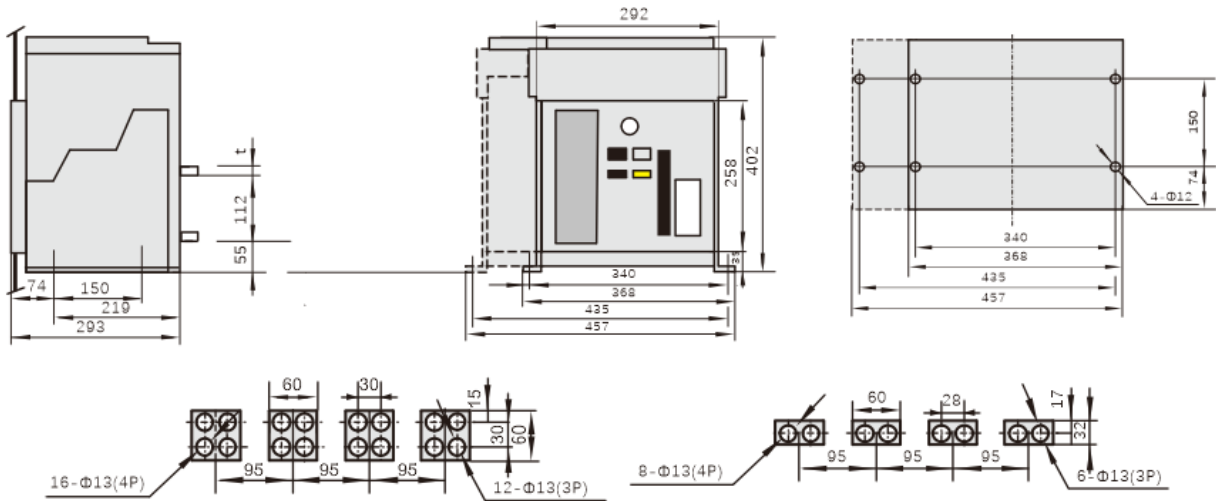
2. Technical feature

Model NO.		CMTW1		CMTW1	
Frame current Inm (A)		2000	3200	4000	6300
Rated Current In(A)		630,800,1000, 1250,1600,2000	2000, 2500, 2900, 3200	3200,3600,3900,4000	4000,5000,6300
Rated Voltage Ue (V)		400V/690V			
Frequency		AC50/60 Hz			
Rated Insulation voltage Ui (V)		1000			
Rated impulse withstand voltage Uimp (V)		1200			
Poles		3P 4P			
Rated ultimate short circuit breaking capacity Icu (KA)	AC400V	80	100	100	120
	AC690V	50	65	65	80
Rated run short circuit breaking capacity Ics (KA)	AC400V	65	65	80	100
	AC690V	40	50	65	80
Rated short time withstand current Icw (KA)	AC400V	65	65	80	85
	AC690V	40	50	65	65
Electric life		1000	500	500	500
Distance of ARC (mm)		0			

CMTW1 Air Circuit Breaker

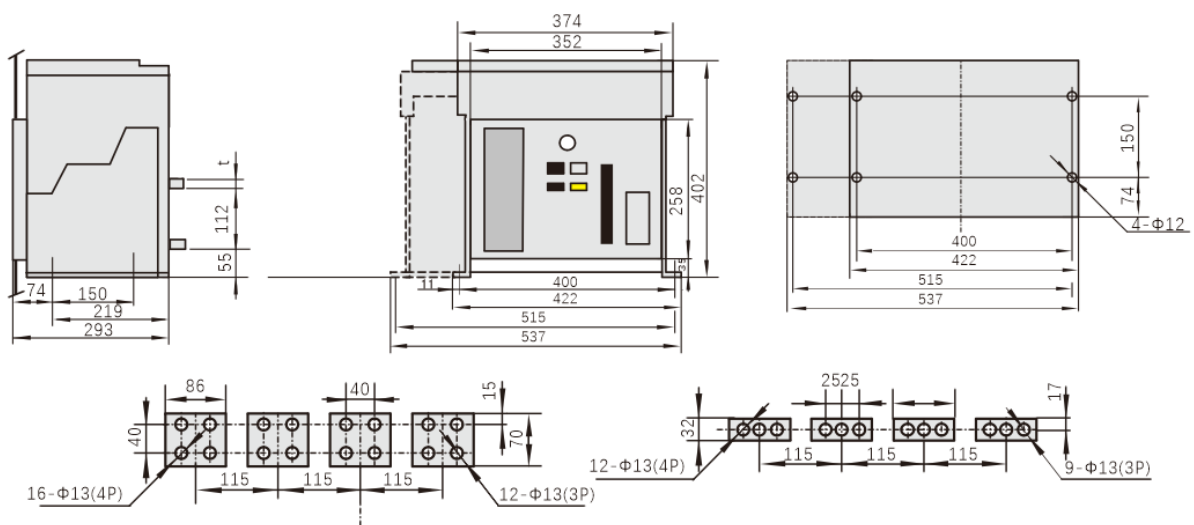
3 .Outline and installation dimension (mm)

CMTW1-2000 Fixed type



In(A)	400 ~ 800	1000 ~ 1600	2000
t	10	15	20

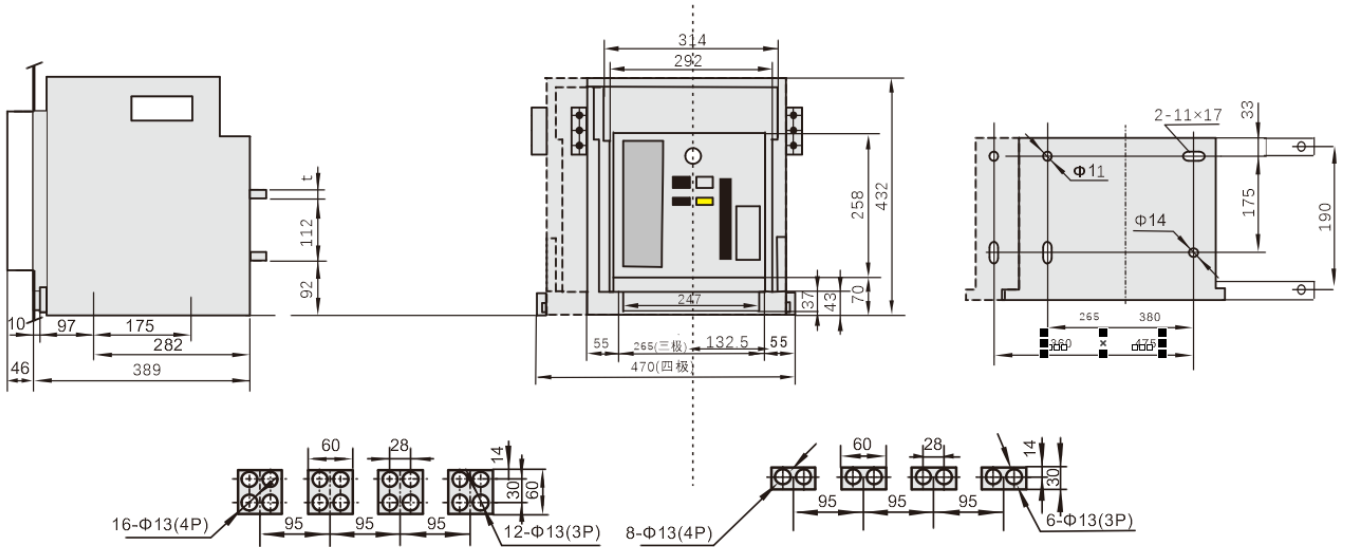
CMTW1-3200 Fixed type



In(A)	2000 ~ 2500	2900 ~ 3200
t	20	30

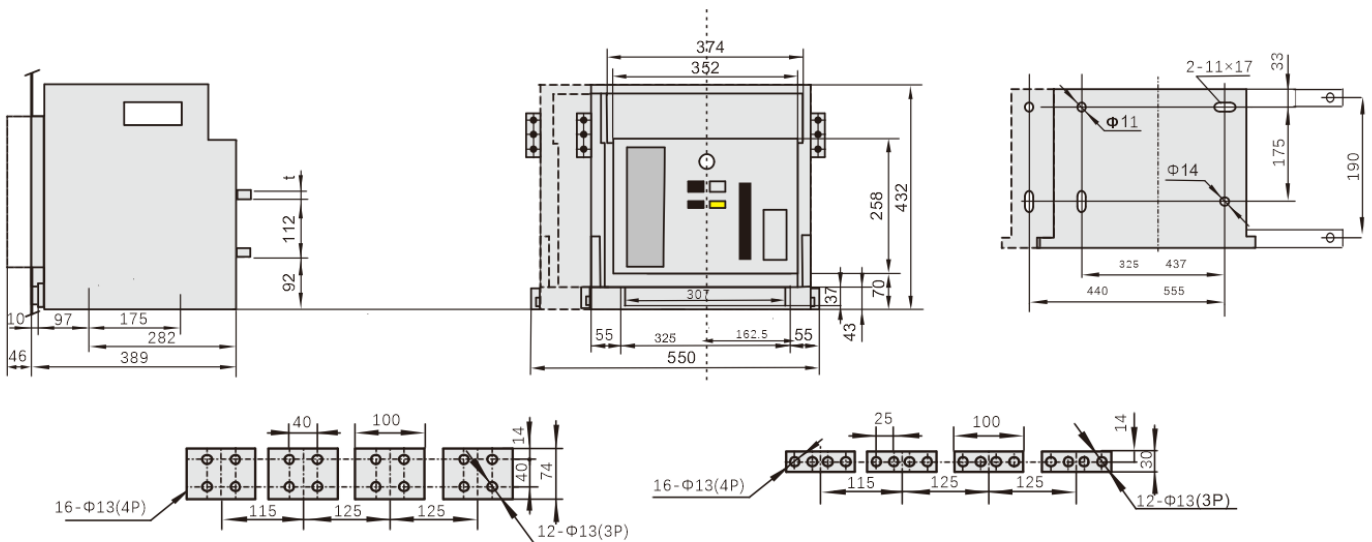
CMTW1 Air Circuit Breaker

CMTW1-2000 Draw-out type



$I_n(A)$	400 ~ 800	1000 ~ 1600	2000
t	10	15	20

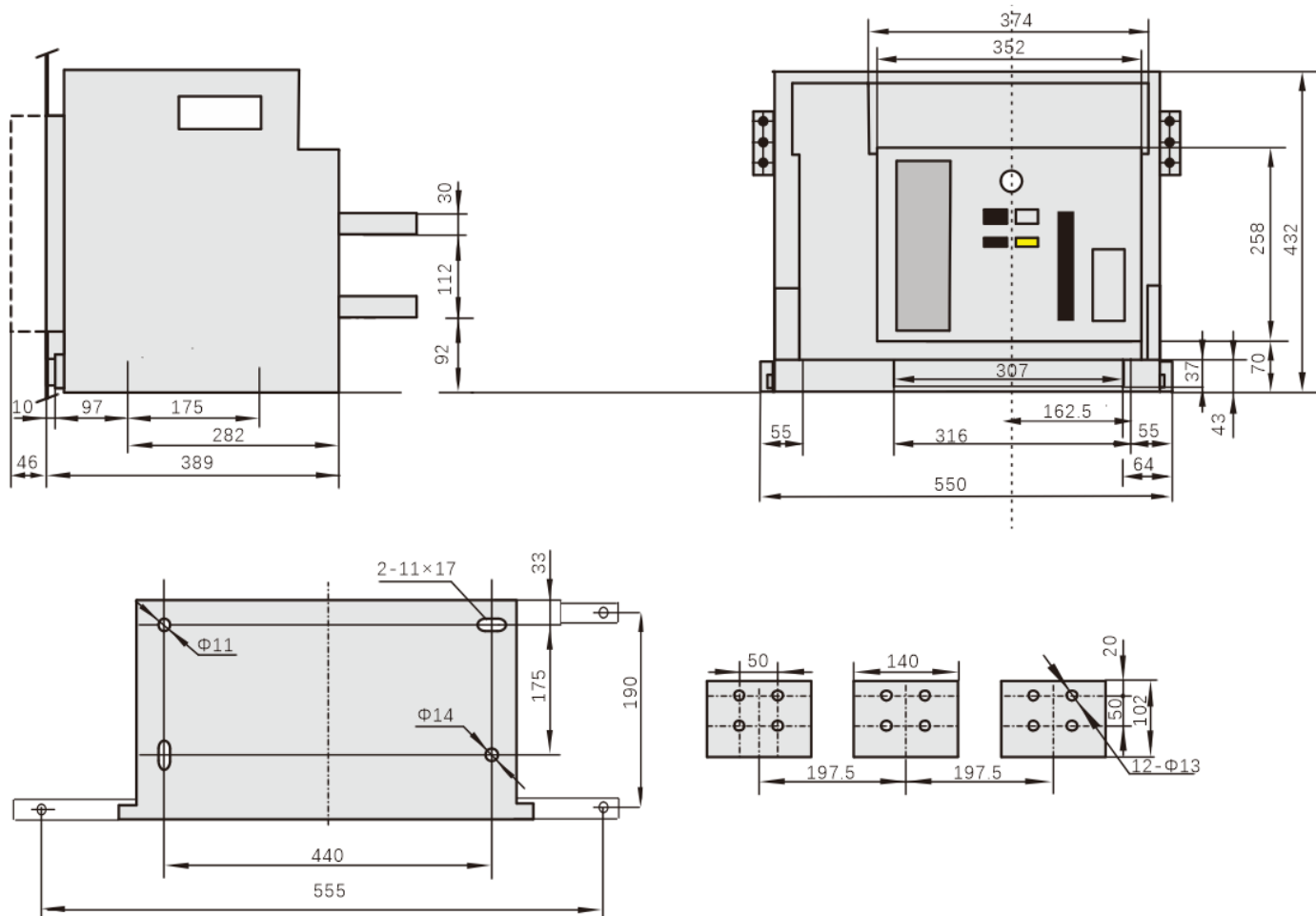
CMTW1-3200 Draw-out type



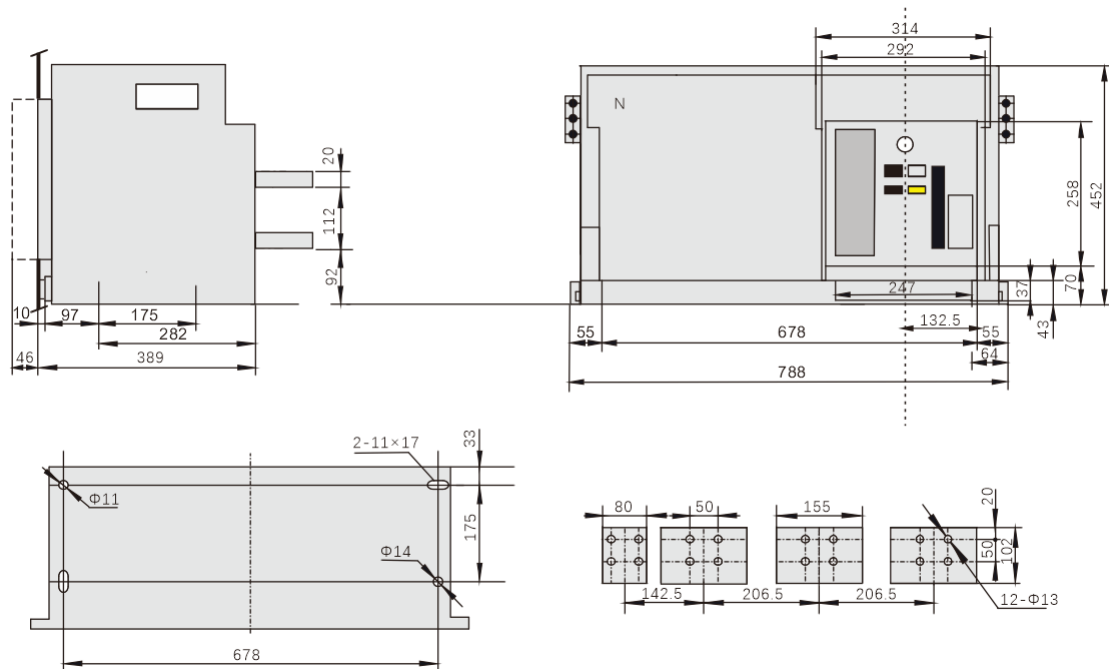
$I_n(A)$	2000 ~ 2500	2900 ~ 3200
t	20	30

CMTW1 Air Circuit Breaker

CMTW1-4000 Draw-out type

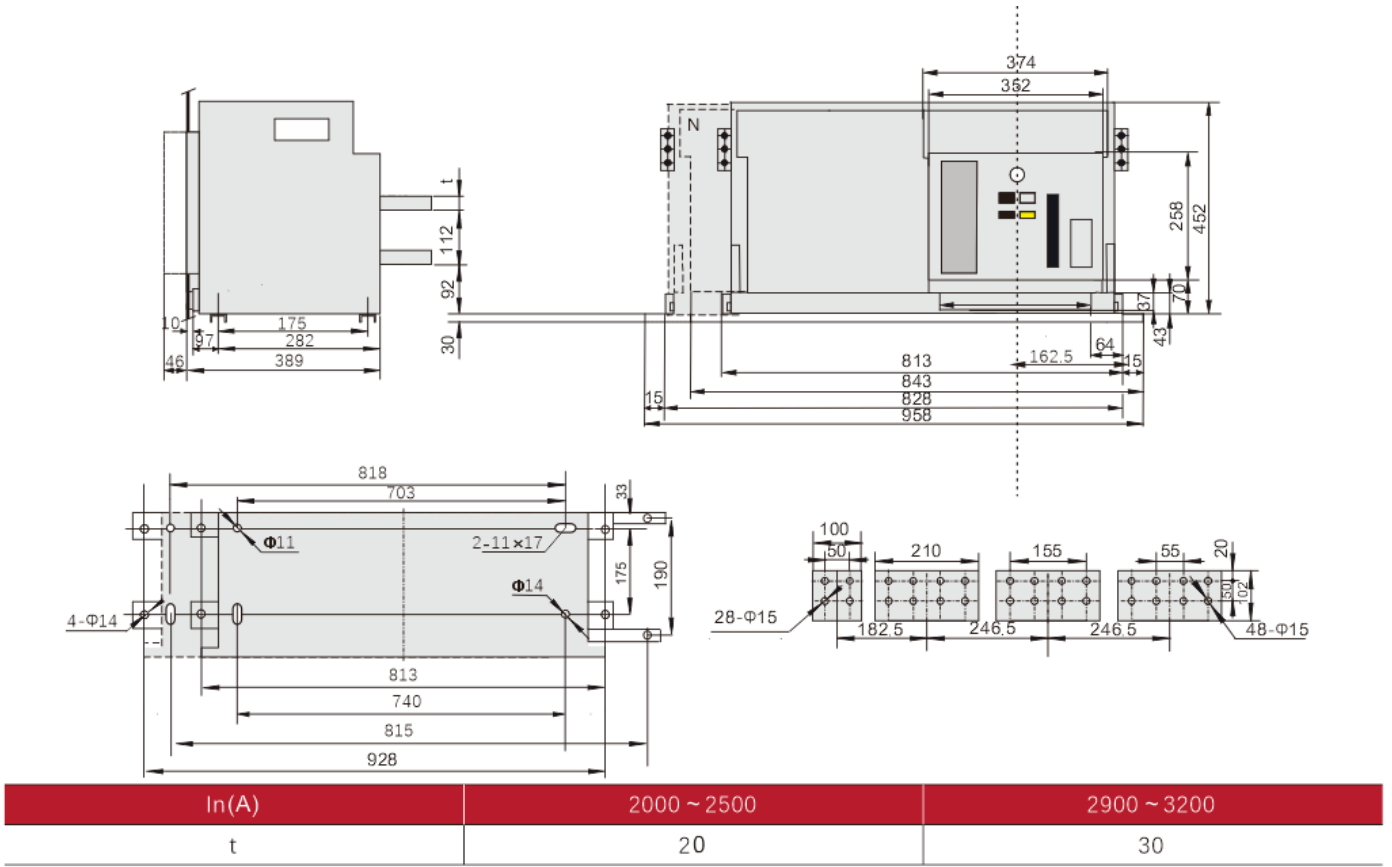


CMTW1-4000 Draw-out type

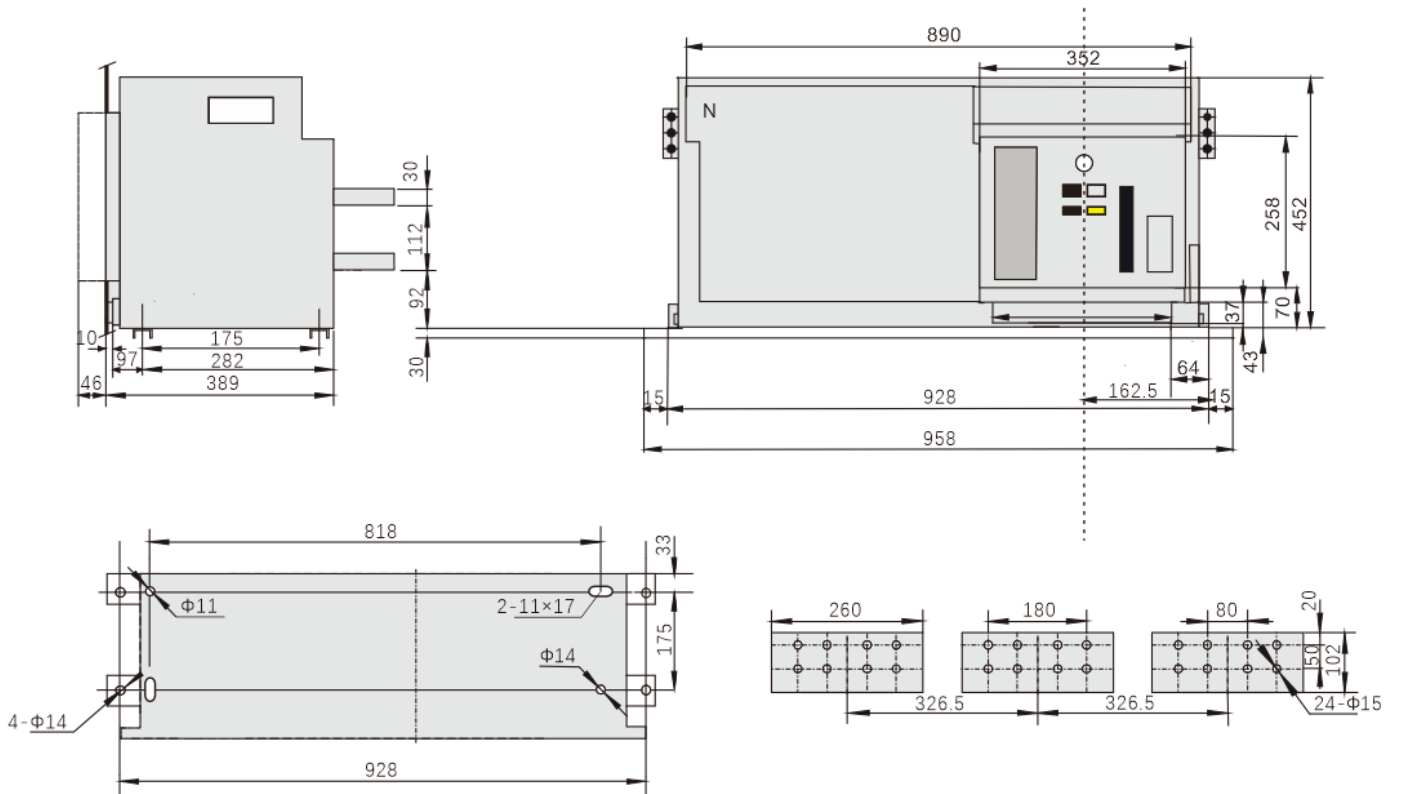


CMTW1 Air Circuit Breaker

CMTW1-6300 Draw-out type



CMTW1-6300 Draw-out type



CMTQ1 Automatic Transfer

1. General

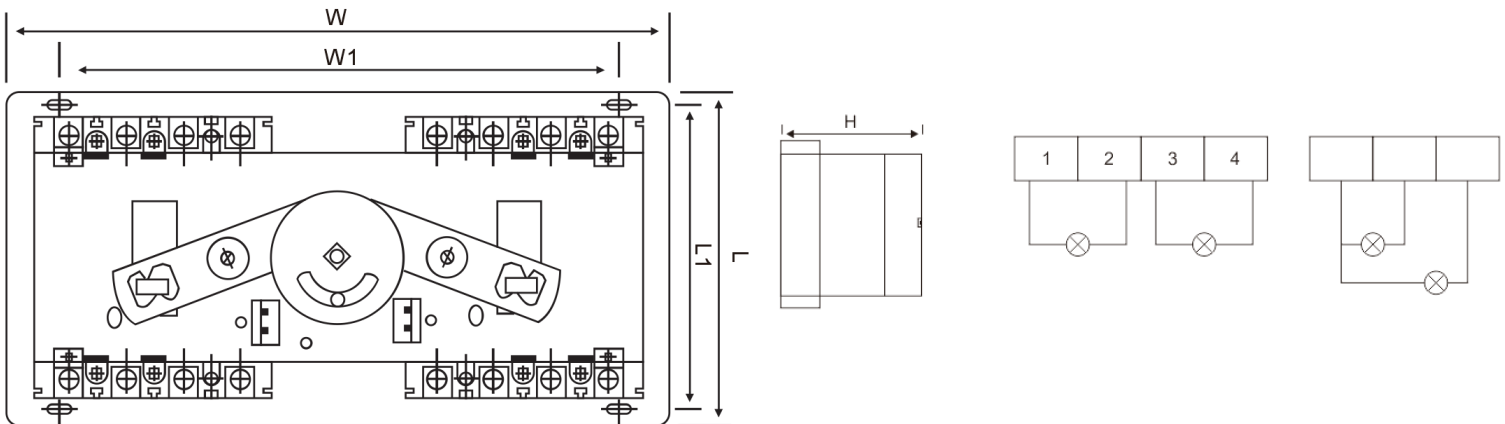
CMTQ1 automatic transfer has the structure of small size, long service life, low power consumption, light weight, steady work, convenient using ...etc. This product is applicable to the important places such as industrial, commercial, and buildings, and residential houses etc. where the power can not be interrupted to make sure of the continuous power.

The product conforms with the standard of IEC60947-6-1



2. Outline and installation dimension (mm)

Standard type

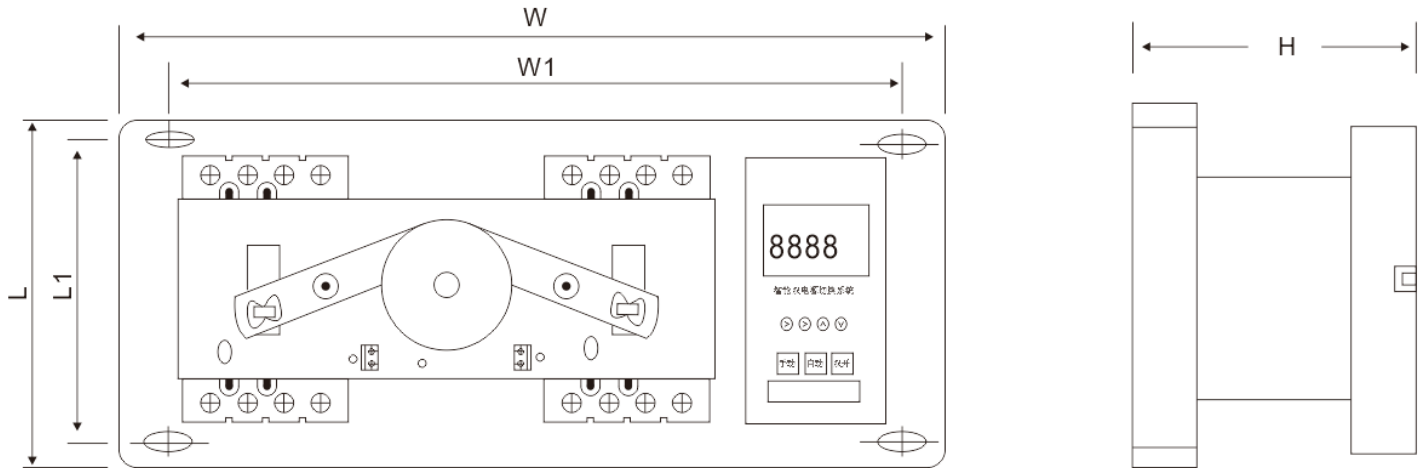


Model NO. (Standard Type)	Outline dimension W X L X H (MM)	Installation dimension W1 X L1 (MM)
CMTQ1-63/3P,4P	290X240X135	255X220
CMTQ1-100/3P,4P	320X240X140	285X220
CMTQ1-225/3P,4P	370X240X160	335X220
CMTQ1-400/3P,4P	525X240X190	465X300
CMTQ1-630/3P,4P	650X330X190	585X300

CMTQ1 Automatic Transfer Switch

3. Outline and installation dimension (mm)

Digital Type:



Model NO. (Digital Type)	Outline dimension W X L X H (MM)	Installation dimension W1 X L1 (MM)
CMTQ1-63/3P,4P	380X240X140	350X220
CMTQ1-100/3P,4P	420X240X140	385X220
CMTQ1-225/3P,4P	470X240X150	335X220
CMTQ1-400/3P,4P	615X330X200	555X330
CMTQ1-630/3P,4P	740X330X200	680X330
CMTQ1-800/3P	725X330X210	670X300
CMTQ1-800/3P	790X330X210	735X300
CMTQ1-1250/3P	670X390X210	625X370
CMTQ1-1250/4P	800X330X210	755X370

CJX2 AC Contactor

1. General

CJX2 series AC contactor has small and simple appearance. It is suitable for AC 50 or 60Hz, rated voltage 660V, and maximum current not exceed 95A. It for making & breaking circuits, frequent start-up and control of AC contactor. The product can protect circuit from over-load when assembling with thermal over-load relay. With the thermal relay, it is combined into the electromagnetic starter. The product conforms standard IEC/EN60947-4-1 .

2. Technical feature

Type		CJX2-09	CJX2-12	CJX2-18	CJX2-25	CJX2-32	CJX2-40	CJX2-65	CJX2-80	CJX2-95
Rated Current In(A)	AC-3	9	12	18	25	32	40	65	80	95
	AC-4	3.5	5	7.7	8.5	12	18.5	28	37	44
Standard power rating of 3 phases motors 50/60 Hz in category AC-3	220/230V	2.2	3	4	5.5	7.5	11	18.5	22	25
	380/400V	4	5.5	7.5	11	15	18.5	30	37	45
	415V	4	5.5	9	11	15	22	37	45	45
	500V	5.5	7.5	10	15	18.5	22	37	55	55
	660/690V	5.5	7.5	10	15	18.5	30	37	45	55
Rated heat current (A)		20	20	32	40	50	60	80	125	125
Electric life	AC-3($\times 10^4$)	100	100	100	100	80	80	60	60	60
	AC-4($\times 10^4$)	20	20	20	20	20	15	15	10	10
Mechanical life ($\times 10^4$)		1000	1000	1000	1000	800	800	800	600	600
Number of contacts		3P+NO	3P+NO	3P+NO	3P+NO	3P+NO	3P+NO+NC			
		3P+NC	3P+NC	3P+NC	3P+NC	3P+NC				



CJX2-1210



CJX2-1810



CJX2-0910

Switch Disconnecter ,Fuse-switch disconnecter and Thermal Overload



Switch Disconnecter

CMTGL series switch disconnecter is applicable for AC 50Hz, rated voltage AC660V and below, DC440V and below, rated current up to 125A~3200A.

The product can be applied for infrequent making & breaking and disconnecting of the circuit.



Fuse-Switch Disconnecter

HR6 fuse disconnecting switch is applicable for AC 380V&660V. The operational rated current up to 630A, rated frequency 50Hz, in the distribution circuit and motor circuit which has high short circuit current as the power switch, isolating switch, emergency switch as well as circuit protection, but normal it is not used to make and break a single motor directly.

The product conforms with standard of IEC60947-3



Thermal Overload Relay

This series of thermal relay can be used in the circuit of 50Hz or 60Hz, rated insulation voltage 660V, Rated Current 0.1-96A for protecting the phase break when the electric motor is over-load. Such product has different mechanism and temperature compensating . This product can be assemble with contact of CJX2 series.



Focus on your **value**

MUTAI MUTAI ELECTRIC GROUP CO.,LTD